

**STATE OF HAWAII
DEPARTMENT OF TRANSPORTATION
HIGHWAYS DIVISION**

**ADDENDUM NO. 1
for
PAHOA-KALAPANA ROAD
2018 KILAUEA ERUPTION PERMANENT REPAIRS
FEDERAL-AID PROJECT NO. ER-21(005)**

This addendum shall make the following amendments to the Bid Documents:

A. NOTICE TO BIDDERS

1. Replace the NOTICE TO BIDDERS dated 9/22/2021 with the attached NOTICE TO BIDDERS dated 10/25/2021.

B. PROPOSAL

1. Replace Federal Wage Rates dated 09/24/21 with updated Federal Wage Rates dated 10/22/21.
2. Replace Proposal Schedule Pages P-8 and P-9 dated 8/4/21 with the attached Proposal Schedule Pages P-8 and P-9 dated 10/25/21.

C. PLANS

1. Replace Plan Sheet No. 7, 22, 23 and 24 with the attached Plan Sheet No. ADD. 7, ADD. 22, ADD. 23 and ADD. 24.

The following is provided for information:

A. CONTRACTOR'S RFI

1. The responses to Contractor's RFI are attached for your information.

B. PRE-BID MEETING MINUTES

1. Attached are the October 20, 2021 Pre-Bid Meeting Notes for your information.

Please acknowledge receipt of this Addendum No. 1 by recording the date of its receipt in the space provided on page P-4 of the Proposal.



JADE T. BUTAY
Director of Transportation

NOTICE TO BIDDERS
(Chapter 103D, HRS)

The receiving of SEALED BIDS for PAHOA -KALAPANA ROAD, 2018 KILAUEA ERUPTION PERMANENT REPAIRS, FEDERAL-AID PROJECT NO. ER-21(005), DISTRICT OF PUNA, ISLAND OF HAWAII, will begin as advertised on September 29, 2021, in HIePRO. Bidders are to register and submit bids through HIePro only. See the following HIePRO link for important information on registering: <https://hiepro.ehawaii.gov/welcome.html>. Deadline to submit bids is **November 4, 2021, at 2:00 p.m. Hawaii Standard Time (HST)**. Bids received after said due date and time shall not be considered.

The scope of work for this project includes paving roadway and shoulders, installing guardrails and end treatments, and pavement markings. The estimated cost of construction is between \$1,370,000.00 and \$1,877,000.00.

To be eligible for award, bidders must possess a valid State of Hawaii (General Engineering "A") prior to the award of the contract.

A pre-bid conference is scheduled for October 20, 2022, at 10:00 a.m. HST on Microsoft Teams. All prospective bidders or their representatives (employees) are encouraged to attend, but attendance is not mandatory. **Due to the impacts of COVID 19, the pre-bid meeting will be conducted virtually. Questions applicable to the Project Specifications should be submitted to the Project Manager no later than two days prior to the scheduled date of the pre-bid meeting.**

Contact Julann Sonomura, Project Manager, by phone, at (808) 933-8866, by facsimile at (808) 933-8869 or email at julann.m.sonomura@hawaii.gov address to obtain the venue for the pre-bid meeting.

ALL requests for information (RFI) shall be received in writing via HiePRO no less than 14 calendar days before bid opening. Questions received after the deadline will not be addressed. Verbal requests for information will not receive a response. Anything said at the conference is for clarification purposes and any changes to the bid documents will be made by addendum and posted in HiePRO.

Any protest of this solicitation shall be submitted in writing to the Director of Transportation, in accordance with §103D-701, Hawaii Revised Statutes (HRS) and §3-126, Hawaii Administrative Rules.

Campaign contributions by State and County Contractors. Contractors are hereby notified of the applicability of Section 11-355, HRS, which states that campaign contributions are prohibited from specified State or county government contractors during the term of the contract if the contractors are paid with funds appropriated by the legislative body. For more information, contact the Campaign Spending Commission at (808) 586-0285.

The U.S. Department of Transportation Regulation entitled "Nondiscrimination in Federally-Assisted Programs of the U.S. Department of Transportation," Title 49, Code of Federal Regulations (CFR), Part 21 is applicable to this project. Bidders are hereby notified that the Department of Transportation will affirmatively ensure that the contract entered into pursuant to this advertisement will be awarded to the lowest responsible bidder without discrimination on the grounds of race, color, national origin or sex (as directed by 23 CFR Part 200).

The Equal Employment Opportunity Regulations of the Secretary of Labor implementing Executive Order 11246, as amended shall be complied with on this project.

The U.S. Department of Transportation Regulations entitled "Participation by Disadvantaged Business Enterprise in Department of Transportation Programs", Title 49, CFR,

Part 26 is applicable to this project. Bidders are hereby notified that the Department of Transportation will strictly enforce full compliance with all of the requirements of the Disadvantaged Business Enterprise (DBE) program with respect to this project.

Bidders are directed to read and be familiar with the DBE Requirements for Federal-Aid Projects regarding DBE, which establishes the program requirements pursuant to Title 49 Code of Federal Regulations Part 26 and, particularly, the requirements of certification, method of award, and evidence of good faith. All Bidders must e-mail the Engineer at julann.m.sonomura@hawaii.gov address, the DBE Contract Goal Verification and Good Faith Efforts (GFE) Documentation for Construction, DBE Confirmation and Commitment Agreement – Trucking Company and DBE Confirmation and Commitment Agreement – Subcontractor, Manufacturer, or Supplier by November 9, 2021, 4:30 p.m. HST. Failure to provide these documents shall be cause for bid/proposal rejection.

Driving While Impaired (DWI) Education. HDOT encourages all organizations contracted with the DOT to have an employee education program preventing DWI. DWI is defined as operating a motor vehicle while impaired by alcohol or other legal or illegal substances. HDOT promotes this type of program to accomplish our mission to provide a safe environment for motorists, bicyclists and pedestrians utilizing our State highways, and expects its contractors to do so as well.

For additional information, contact Julann Sonomura, Project Manager, by phone at (808) 933-8866, by fax at (808) 933-8869 or email at julann.m.sonomura@hawaii.gov.

The State reserves the right to reject any or all proposals and to waive any defects in said proposals for the best interest of the public.



JADE T. BUTAY
Director of Transportation

Posted: 9/29/21

"General Decision Number: HI20210001 10/22/2021

Superseded General Decision Number: HI20200001

State: Hawaii

Construction Types: Building, Heavy (Heavy and Dredging), Highway and Residential

Counties: Hawaii Statewide.

BUILDING CONSTRUCTION PROJECTS; RESIDENTIAL CONSTRUCTION PROJECTS (consisting of single family homes and apartments up to and including 4 stories); HEAVY AND HIGHWAY CONSTRUCTION PROJECTS AND DREDGING

Note: Under Executive Order (EO) 13658, an hourly minimum wage of \$10.95 for calendar year 2021 applies to all contracts subject to the Davis-Bacon Act for which the contract is awarded (and any solicitation was issued) on or after January 1, 2015. If this contract is covered by the EO, the contractor must pay all workers in any classification listed on this wage determination at least \$10.95 per hour (or the applicable wage rate listed on this wage determination, if it is higher) for all hours spent performing on the contract in calendar year 2021. If this contract is covered by the EO and a classification considered necessary for performance of work on the contract does not appear on this wage determination, the contractor must pay workers in that classification at least the wage rate determined through the conformance process set forth in 29 CFR 5.5(a)(1)(ii) (or the EO minimum wage rate, if it is higher than the conformed wage rate). The EO minimum wage rate will be adjusted annually. Please note that this EO applies to the above-mentioned types of contracts entered into by the federal government that are subject to the Davis-Bacon Act itself, but it does not apply to contracts subject only to the Davis-Bacon Related Acts, including those set forth at 29 CFR 5.1(a)(2)-(60). Additional information on contractor requirements and worker protections under the EO is available at www.dol.gov/whd/govcontracts.

Modification Number	Publication Date
0	01/01/2021
1	01/08/2021
2	01/22/2021
3	02/12/2021
4	02/19/2021
5	03/19/2021
6	05/07/2021
7	07/02/2021
8	07/09/2021
9	07/16/2021
10	09/03/2021
11	09/10/2021
12	09/24/2021
13	10/15/2021
14	10/22/2021

ASBE0132-001 08/30/2020

Rates

Fringes

Asbestos Workers/Insulator
 Includes application of
 all insulating materials,
 protective coverings,
 coatings and finishes to
 all types of mechanical
 systems. Also the
 application of
 firestopping material for
 wall openings and
 penetrations in walls,
 floors, ceilings and
 curtain walls.....\$ 41.90 25.65

 BOIL0627-005 01/01/2021

	Rates	Fringes
BOILERMAKER.....	\$ 37.25	31.25

 BRHI0001-001 08/31/2020

	Rates	Fringes
BRICKLAYER		
Bricklayers and Stonemasons.....	\$ 45.95	29.59
Pointers, Caulkers and Weatherproofers.....	\$ 46.21	29.59

 BRHI0001-002 08/31/2020

	Rates	Fringes
Tile, Marble & Terrazzo Worker		
Terrazzo Base Grinders.....	\$ 41.69	28.11
Terrazzo Floor Grinders and Tenders.....	\$ 40.14	28.11
Tile, Marble and Terrazzo Workers.....	\$ 43.50	28.11

 CARP0745-001 08/31/2020

	Rates	Fringes
Carpenters:		
Carpenters; Hardwood Floor Layers; Patent Scaffold Erectors (14 ft. and over); Piledrivers; Pneumatic Nailers; Wood Shinglers and Transit and/or Layout Man.....	\$ 50.50	23.59
Millwrights and Machine Erectors.....	\$ 50.75	23.59
Power Saw Operators (2 h.p. and over).....	\$ 50.65	23.59

 CARP0745-002 08/31/2020

	Rates	Fringes
Drywall and Acoustical Workers and Lathers.....	\$ 50.50	23.59

 * ELEC1186-001 09/05/2021

	Rates	Fringes
Electricians:		
Cable Splicers.....	\$ 59.38	30.34
Electricians.....	\$ 52.55	30.14
Telecommunication worker....	\$ 33.69	13.13

 * ELEC1186-002 09/05/2021

	Rates	Fringes
Line Construction:		
Cable Splicers.....	\$ 59.38	30.34
Groundmen/Truck Drivers.....	\$ 39.41	26.12
Heavy Equipment Operators...	\$ 47.30	28.53
Linemen.....	\$ 52.55	30.14
Telecommunication worker....	\$ 33.69	13.13

 ELEV0126-001 01/01/2021

	Rates	Fringes
ELEVATOR MECHANIC.....	\$ 63.18	35.825+a+b

a. VACATION: Employer contributes 8% of basic hourly rate for 5 years service and 6% of basic hourly rate for 6 months to 5 years service as vacation pay credit.

b. PAID HOLIDAYS: New Year's Day, Memorial Day, Independence Day, Labor Day, Veterans' Day, Thanksgiving Day, the Friday after Thanksgiving Day and Christmas Day.

 ENGI0003-002 09/03/2018

	Rates	Fringes
Diver (Aqua Lung) (Scuba))		
Diver (Aqua Lung) (Scuba) (over a depth of 30 feet)...	\$ 66.00	31.26
Diver (Aqua Lung) (Scuba) (up to a depth of 30 feet)..	\$ 56.63	31.26
Stand-by Diver (Aqua Lung) (Scuba).....	\$ 47.25	31.26
Diver (Other than Aqua Lung)		
Diver (Other than Aqua Lung).....	\$ 66.00	31.26
Diver Tender (Other than Aqua Lung).....	\$ 44.22	31.26
Stand-by Diver (Other than Aqua Lung).....	\$ 47.25	31.26
Helicopter Work		
Airborne Hoist Operator for Helicopter.....	\$ 45.80	31.26
Co-Pilot of Helicopter.....	\$ 45.98	31.26
Pilot of Helicopter.....	\$ 46.11	31.26
Power equipment operator - tunnel work		
GROUP 1.....	\$ 42.24	31.26
GROUP 2.....	\$ 42.35	31.26
GROUP 3.....	\$ 42.52	31.26
GROUP 4.....	\$ 42.79	31.26
GROUP 5.....	\$ 43.10	31.26
GROUP 6.....	\$ 43.75	31.26

GROUP 7.....	\$ 44.07	31.26
GROUP 8.....	\$ 44.18	31.26
GROUP 9.....	\$ 44.29	31.26
GROUP 9A.....	\$ 44.52	31.26
GROUP 10.....	\$ 44.58	31.26
GROUP 10A.....	\$ 44.73	31.26
GROUP 11.....	\$ 44.88	31.26
GROUP 12.....	\$ 45.24	31.26
GROUP 12A.....	\$ 45.60	31.26
Power equipment operators:		
GROUP 1.....	\$ 41.94	31.26
GROUP 2.....	\$ 42.05	31.26
GROUP 3.....	\$ 42.22	31.26
GROUP 4.....	\$ 42.49	31.26
GROUP 5.....	\$ 42.80	31.26
GROUP 6.....	\$ 43.45	31.26
GROUP 7.....	\$ 43.77	31.26
GROUP 8.....	\$ 43.88	31.26
GROUP 9.....	\$ 43.99	31.26
GROUP 9A.....	\$ 44.22	31.26
GROUP 10.....	\$ 44.28	31.26
GROUP 10A.....	\$ 44.43	31.26
GROUP 11.....	\$ 44.58	31.26
GROUP 12.....	\$ 44.94	31.26
GROUP 12A.....	\$ 45.30	31.26
GROUP 13.....	\$ 42.22	31.26
GROUP 13A.....	\$ 42.49	31.26
GROUP 13B.....	\$ 42.80	31.26
GROUP 13C.....	\$ 43.45	31.26
GROUP 13D.....	\$ 43.77	31.26
GROUP 13E.....	\$ 43.88	31.26

POWER EQUIPMENT OPERATORS CLASSIFICATIONS

GROUP 1: Fork Lift (up to and including 10 tons); Partsman (heavy duty repair shop parts room when needed).

GROUP 2: Conveyor Operator (Handling building material); Hydraulic Monitor; Mixer Box Operator (Concrete Plant).

GROUP 3: Brakeman; Deckhand; Fireman; Oiler; Oiler/Gradechecker; Signalman; Switchman; Highline Cableway Signalman; Bargeman; Bunkerman; Concrete Curing Machine (self-propelled, automatically applied unit on streets, highways, airports and canals); Leveeman; Roller (5 tons and under); Tugger Hoist.

GROUP 4: Boom Truck or dual purpose "A" Frame Truck (5 tons or less); Concrete Placing Boom (Building Construction); Dinky Operator; Elevator Operator; Hoist and/or Winch (one drum); Straddle Truck (Ross Carrier, Hyster and similar).

GROUP 5: Asphalt Plant Fireman; Compressors, Pumps, Generators and Welding Machines ("Bank" of 9 or more, individually or collectively); Concrete Pumps or Pumpcrete Guns; Lubrication and Service Engineer (Grease Rack); Screedman.

GROUP 6: Boom Truck or Dual Purpose "A" Frame Truck (over 5 tons); Combination Loader/Backhoe (up to and including 3/4 cu. yd.); Concrete Batch Plants (wet or dry); Concrete Cutter, Groover and/or Grinder (self-propelled unit on streets, highways, airports, and canals); Conveyor or Concrete Pump (Truck or Equipment Mounted); Drilling Machinery (not to apply to waterliners, wagon drills or

jack hammers); Fork Lift (over 10 tons); Loader (up to and including 3 and 1/2 cu. yds); Lull High Lift (under 40 feet); Lubrication and Service Engineer (Mobile); Maginnis Internal Full Slab Vibrator (on airports, highways, canals and warehouses); Man or Material Hoist; Mechanical Concrete Finisher (Large Clary, Johnson Bidwell, Bridge Deck and similar); Mobile Truck Crane Driver; Portable Shotblast Concrete Cleaning Machine; Portable Boring Machine (under streets, highways, etc.); Portable Crusher; Power Jumbo Operator (setting slip forms, etc., in tunnels); Rollers (over 5 tons); Self-propelled Compactor (single engine); Self-propelled Pavement Breaker; Skidsteer Loader with attachments; Slip Form Pumps (Power driven by hydraulic, electric, air, gas, etc., lifting device for concrete forms); Small Rubber Tired Tractors; Trencher (up to and including 6 feet); Underbridge Personnel Aerial Platform (50 feet of platform or less).

GROUP 7: Crusher Plant Engineer, Dozer (D-4, Case 450, John Deere 450, and similar); Dual Drum Mixer, Extend Lift; Hoist and/or Winch (2 drums); Loader (over 3 and 1/2 cu. yds. up to and including 6 yards.); Mechanical Finisher or Spreader Machine (asphalt), (Barber Greene and similar) (Screedman required); Mine or Shaft Hoist; Mobile Concrete Mixer (over 5 tons); Pipe Bending Machine (pipelines only); Pipe Cleaning Machine (tractor propelled and supported); Pipe Wrapping Machine (tractor propelled and supported); Roller Operator (Asphalt); Self-Propelled Elevating Grade Plane; Slusher Operator; Tractor (with boom) (D-6, or similar); Trencher (over 6 feet and less than 200 h.p.); Water Tanker (pulled by Euclids, T-Pulls, DW-10, 20 or 21, or similar); Winchman (Stern Winch on Dredge).

GROUP 8: Asphalt Plant Operator; Barge Mate (Seagoing); Cast-in-Place Pipe Laying Machine; Concrete Batch Plant (multiple units); Conveyor Operator (tunnel); Deckmate; Dozer (D-6 and similar); Finishing Machine Operator (airports and highways); Gradesetter; Kolman Loader (and similar); Mucking Machine (Crawler-type); Mucking Machine (Conveyor-type); No-Joint Pipe Laying Machine; Portable Crushing and Screening Plant; Power Blade Operator (under 12); Saurman Type Dragline (up to and including 5 yds.); Stationary Pipe Wrapping, Cleaning and Bending Machine; Surface Heater and Planer Operator, Tractor (D-6 and similar); Tri-Batch Paver; Tunnel Badger; Tunnel Mole and/or Boring Machine Operator Underbridge Personnel Aerial Platform (over 50 feet of platform).

GROUP 9: Combination Mixer and Compressor (gunite); Do-Mor Loader and Adams Elegrader; Dozer (D-7 or equal); Wheel and/or Ladder Trencher (over 6 feet and 200 to 749 h.p.).

GROUP 9A: Dozer (D-8 and similar); Gradesetter (when required by the Contractor to work from drawings, plans or specifications without the direct supervision of a foreman or superintendent); Push Cat; Scrapers (up to and including 20 cu. yds); Self-propelled Compactor with Dozer; Self-Propelled, Rubber-Tired Earthmoving Equipment (up to and including 20 cu. yds) (621 Band and similar); Sheep's Foot; Tractor (D-8 and similar); Tractors with boom (larger than D-6, and similar).

GROUP 10: Chicago Boom; Cold Planers; Heavy Duty Repairman or Welder; Hoist and/or Winch (3 drums); Hydraulic Skooper (Koehring and similar); Loader (over 6 cu. yds. up to and

including 12 cu. yds.); Saurman type Dragline (over 5 cu. yds.); Self-propelled, rubber-tired Earthmoving Equipment (over 20 cu. yds. up to and including 31 cu. yds.) (637D and similar); Soil Stabilizer (P & H or equal); Sub-Grader (Gurries or other automatic type); Tractors (D-9 or equivalent, all attachments); Tractor (Tandem Scraper); Watch Engineer.

GROUP 10A: Boat Operator; Cable-operated Crawler Crane (up to and including 25 tons); Cable-operated Power Shovel, Clamshell, Dragline and Backhoe (up to and including 1 cu. yd.); Dozer D9-L; Dozer (D-10, HD41 and similar) (all attachments); Gradall (up to and including 1 cu. yd.); Hydraulic Backhoe (over 3/4 cu. yds. up to and including 2 cu. yds.); Mobile Truck Crane Operator (up to and including 25 tons) (Mobile Truck Crane Driver Required); Self-propelled Boom Type Lifting Device (Center Mount) (up to and including 25 tons) (Grove, Drott, P&H, Pettibone and similar); Trencher (over 6 feet and 750 h.p. or more); Watch Engineer (steam or electric).

GROUP 11: Automatic Slip Form Paver (concrete or asphalt); Band Wagon (in conjunction with Wheel Excavator); Cable-operated Crawler Cranes (over 25 tons but less than 50 tons); Cable-operated Power Shovel, Clamshell, Dragline and Backhoe (over 1 cu. yd. up to 7 cu. yds.); Gradall (over 1 cu. yds. up to 7 cu. yds.); DW-10, 20, etc. (Tandem); Earthmoving Machines (multiple propulsion power units and 2 or more Scrapers) (up to and including 35 cu. yds., "struck" m.r.c.); Highline Cableway; Hydraulic Backhoe (over 2 cu. yds. up to and including 4 cu. yds.); Leverman; Lift Slab Machine; Loader (over 12 cu. yds); Master Boat Operator; Mobile Truck Crane Operator (over 25 tons but less than 50 tons); (Mobile Truck Crane Driver required); Pre-stress Wire Wrapping Machine; Self-propelled Boom-type Lifting Device (Center Mount) (over 25 tons m.r.c); Self-propelled Compactor (with multiple-propulsion power units); Single Engine Rubber Tired Earthmoving Machine (with Tandem Scraper); Tandem Cats; Trencher (pulling attached shield).

GROUP 12: Clamshell or Dipper Operator; Derricks; Drill Rigs; Multi-Propulsion Earthmoving Machines (2 or more Scrapers) (over 35 cu. yds "struck" m.r.c.); Operators (Derricks, Piledrivers and Cranes); Power Shovels and Draglines (7 cu. yds. m.r.c. and over); Self-propelled rubber-tired Earthmoving equipment (over 31 cu. yds.) (657B and similar); Wheel Excavator (up to and including 750 cu. yds. per hour); Wheel Excavator (over 750 cu. yds. per hour).

GROUP 12A: Dozer (D-11 or similar or larger); Hydraulic Excavators (over 4 cu. yds.); Lifting cranes (50 tons and over); Pioneering Dozer/Backhoe (initial clearing and excavation for the purpose of providing access for other equipment where the terrain worked involves 1-to-1 slopes that are 50 feet in height or depth, the scope of this work does not include normal clearing and grubbing on usual hilly terrain nor the excavation work once the access is provided); Power Blade Operator (Cat 12 or equivalent or over); Straddle Lifts (over 50 tons); Tower Crane, Mobile; Traveling Truss Cranes; Universal, Liebherr, Linden, and similar types of Tower Cranes (in the erection, dismantling, and moving of equipment there shall be an additional Operating Engineer or Heavy Duty Repairman); Yo-Yo Cat or Dozer.

GROUP 13: Truck Driver (Utility, Flatbed, etc.)

GROUP 13A: Dump Truck, 8 cu.yds. and under (water level);
Water Truck (up to and including 2,000 gallons).

GROUP 13B: Water Truck (over 2,000 gallons); Tandem Dump
Truck, over 8 cu. yds. (water level).

GROUP 13C: Truck Driver (Semi-trailer. Rock Cans, Semi-Dump
or Roll-Offs).

GROUP 13D: Truck Driver (Slip-In or Pup).

GROUP 13E: End Dumps, Unlicensed (Euclid, Mack, Caterpillar
or similar); Tractor Trailer (Hauling Equipment); Tandem
Trucks hooked up to Trailer (Hauling Equipment)

BOOMS AND/OR LEADS (HOURLY PREMIUMS):

The Operator of a crane (under 50 tons) with a boom of 80
feet or more (including jib), or of a crane (under 50 tons)
with leads of 100 feet or more, shall receive a per hour
premium for each hour worked on said crane (under 50 tons)
in accordance with the following schedule:

Booms of 80 feet up to but not including 130 feet or Leads of 100 feet up to but not including 130 feet	0.50
Booms and/or Leads of 130 feet up to but not including 180 feet	0.75
Booms and/or Leads of 180 feet up to and including 250 feet	1.15
Booms and/or Leads over 250 feet	1.50

The Operator of a crane (50 tons and over) with a boom of 180
feet or more (including jib) shall receive a per hour
premium for each hour worked on said crane (50 tons and
over) in accordance with the following schedule:

Booms of 180 feet up to and including 250 feet	1.25
Booms over 250 feet	1.75

ENGI0003-004 09/04/2017

	Rates	Fringes
Dredging: (Boat Operators)		
Boat Deckhand.....	\$ 41.22	30.93
Boat Operator.....	\$ 43.43	30.93
Master Boat Operator.....	\$ 43.58	30.93
Dredging: (Clamshell or Dipper Dredging)		
GROUP 1.....	\$ 43.94	30.93
GROUP 2.....	\$ 43.28	30.93
GROUP 3.....	\$ 42.88	30.93
GROUP 4.....	\$ 41.22	30.93
Dredging: (Derricks)		
GROUP 1.....	\$ 43.94	30.93
GROUP 2.....	\$ 43.28	30.93
GROUP 3.....	\$ 42.88	30.93

GROUP 4.....	\$ 41.22	30.93
Dredging: (Hydraulic Suction Dredges)		
GROUP 1.....	\$ 43.58	30.93
GROUP 2.....	\$ 43.43	30.93
GROUP 3.....	\$ 43.28	30.93
GROUP 4.....	\$ 43.22	30.93
GROUP 5.....	\$ 37.88	26.76
Group 5.....	\$ 42.88	30.93
GROUP 6.....	\$ 37.77	26.76
Group 6.....	\$ 42.77	30.93
GROUP 7.....	\$ 36.22	26.76
Group 7.....	\$ 41.22	30.93

CLAMSHELL OR DIPPER DREDGING CLASSIFICATIONS

- GROUP 1: Clamshell or Dipper Operator.
- GROUP 2: Mechanic or Welder; Watch Engineer.
- GROUP 3: Barge Mate; Deckmate.
- GROUP 4: Bargeman; Deckhand; Fireman; Oiler.

HYDRAULIC SUCTION DREDGING CLASSIFICATIONS

- GROUP 1: Leverman.
- GROUP 2: Watch Engineer (steam or electric).
- GROUP 3: Mechanic or Welder.
- GROUP 4: Dozer Operator.
- GROUP 5: Deckmate.
- GROUP 6: Winchman (Stern Winch on Dredge)
- GROUP 7: Deckhand (can operate anchor scow under direction of Deckmate); Fireman; Leveeman; Oiler.

DERRICK CLASSIFICATIONS

- GROUP 1: Operators (Derricks, Piledrivers and Cranes).
- GROUP 2: Saurman Type Dragline (over 5 cubic yards).
- GROUP 3: Deckmate; Saurman Type Dragline (up to and including 5 yards).
- GROUP 4: Deckhand, Fireman, Oiler.

ENGI0003-044 09/03/2018

	Rates	Fringes
Power Equipment Operators (PAVING)		
Asphalt Concrete Material Transfer.....	\$ 42.92	32.08
Asphalt Plant Operator.....	\$ 43.35	32.08
Asphalt Raker.....	\$ 41.96	32.08
Asphalt Spreader Operator...\$	43.44	32.08
Cold Planer.....	\$ 43.75	32.08
Combination Loader/Backhoe (over 3/4 cu.yd.).....	\$ 41.96	32.08
Combination Loader/Backhoe (up to 3/4 cu.yd.).....	\$ 40.98	32.08
Concrete Saws and/or Grinder (self-propelled unit on streets, highways, airports and canals).....	\$ 42.92	32.08
Grader.....	\$ 43.75	32.08
Laborer, Hand Roller.....	\$ 41.46	32.08
Loader (2 1/2 cu. yds. and under).....	\$ 42.92	32.08

Loader (over 2 1/2 cu. yds. to and including 5 cu. yds.).....	\$ 43.24	32.08
Roller Operator (five tons and under).....	\$ 41.69	32.08
Roller Operator (over five tons).....	\$ 43.12	32.08
Screed Person.....	\$ 42.92	32.08
Soil Stabilizer.....	\$ 43.75	32.08

IRON0625-001 09/01/2021

	Rates	Fringes
Ironworkers:.....	\$ 43.50	36.84
a. Employees will be paid \$.50 per hour more while working in tunnels and coffer dams; \$1.00 per hour more when required to work under or are covered with water (submerged) and when they are required to work on the summit of Mauna Kea, Mauna Loa or Haleakala.		

LAB00368-001 09/02/2020

	Rates	Fringes
Laborers:		
Driller.....	\$ 39.70	22.68
Final Clean Up.....	\$ 29.65	18.17
Gunite/Shotcrete Operator and High Scaler.....	\$ 39.20	22.68
Laborer I.....	\$ 38.70	22.68
Laborer II.....	\$ 36.10	22.68
Mason Tender/Hod Carrier....	\$ 39.20	22.68
Powderman.....	\$ 39.70	22.68
Window Washer (bosun chair).\$	38.20	22.68

LABORERS CLASSIFICATIONS

Laborer I: Air Blasting run by electric or pneumatic compressor; Asphalt Laborer, Ironer, Raker, Luteman, and Handroller, and all types of Asphalt Spreader Boxes; Asphalt Shoveler; Assembly and Installation of Multiplates, Liner Plates, Rings, Mesh, Mats; Batching Plant (portable and temporary); Boring Machine Operator (under streets and sidewalks); Buggymobile; Burning and Welding; Chainsaw, Faller, Logloader, and Bucker; Compactors (Jackson Jumping Jack and similar); Concrete Bucket Dumpman; Concrete Chipping; Concrete Chuteman/Hoseman (pouring concrete) (the handling of the chute from ready-mix trucks for such jobs as walls, slabs, decks, floors, foundations, footings, curbs, gutters, and sidewalks); Concrete Core Cutter (Walls, Floors, and Ceiling); Concrete Grinding or Sanding; Concrete: Hooking on, signaling, dumping of concrete for treme work over water on caissons, pilings, abutments, etc.; Concrete: Mixing, handling, conveying, pouring, vibrating, otherwise placing of concrete or aggregates or by any other process; Concrete: Operation of motorized wheelbarrows or buggies or machines of similar character, whether run by gas, diesel, or electric power; Concrete Placement Machine Operator: operation of Somero Hammerhead, Copperheads, or similar machines; Concrete Pump Machine (laying, coupling, uncoupling of all connections and cleaning of equipment); Concrete and/or Asphalt Saw (Walking or Handtype) (cutting walls or flatwork) (scoring old or new concrete and/or asphalt) (cutting for expansion

joints) (streets and ways for laying of pipe, cable or conduit for all purposes); Concrete Shovelers/Laborers (Wet or Dry); Concrete Screeding for Rough Strike-Off: Rodding or striking-off, by hand or mechanical means prior to finishing; Concrete Vibrator Operator; Coring Holes: Walls, footings, piers or other obstructions for passage of pipes or conduits for any purpose and the pouring of concrete to secure the hole; Cribbers, Shorer, Lagging, Sheeting, and Trench Jacking and Bracing, Hand-Guided Lagging Hammer Whaling Bracing; Curbing (Concrete and Asphalt); Curing of Concrete (impervious membrane and form oiler) mortar and other materials by any mode or method; Cut Granite Curb Setter (setting, leveling and grouting of all precast concrete or stone curbs); Cutting and Burning Torch (demolition); Dri Pak-It Machine; Environmental Abatement: removal of asbestos, lead, and bio hazardous materials (EPA and/or OSHA certified); Falling, bucking, yarding, loading or burning of all trees or timber on construction site; Forklift (9 ft. and under); Gas, Pneumatic, and Electric tools; Grating and Grill work for drains or other purposes; Green Cutter of concrete or aggregate in any form, by hand, mechanical means, grindstone or air and/or water; Grout: Spreading for any purpose; Guinea Chaser (Grade Checker) for general utility trenches, sitework, and excavation; Headerboard Man (Asphalt or Concrete); Heat Welder of Plastic (Laborers' AGC certified workers) (when work involves waterproofing for waterponds, artificial lakes and reservoir) heat welding for sewer pipes and fusion of HDPE pipes; Heavy Highway Laborer (Rigging, signaling, handling, and installation of pre-cast catch basins, manholes, curbs and gutters); High Pressure Nozzleman - Hydraulic Monitor (over 100# pressure); Jackhammer Operator; Jacking of slip forms: All semi and unskilled work connected therewithin; Laying of all multi-cell conduit or multi-purpose pipe; Magnesite and Mastic Workers (Wet or Dry)(including mixer operator);Mortar Man; Mortar Mixer (Block, Brick, Masonry, and Plastering); Nozzleman (Sandblasting and/or Water Blasting): handling, placing and operation of nozzle; Operation, Manual or Hydraulic jacking of shields and the use of such other mechanical equipment as may be necessary; Pavement Breakers; Paving, curbing and surfacing of streets, ways, courts, under and overpasses, bridges, approaches, slope walls, and all other labor connected therewith; Pilecutters; Pipe Accessment in place, bolting and lining up of sectional metal or other pipe including corrugated pipe; Pipelayer performing all services in the laying and installation of pipe from the point of receiving pipe in the ditch until completion of operation, including any and all forms of tubular material, whether pipe, HDPE, metallic or non-metallic, conduit, and any other stationary-type of tubular device used for conveying of any substance or element, whether water, sewage, solid, gas, air, or other product whatsoever and without regard to the nature of material from which tubular material is fabricated; No-joint pipe and stripping of same, Pipewrapper, Caulker, Bander, Kettlemen, and men applying asphalt, Laykold, treating Creosote and similar-type materials (6-inch) pipe and over); Piping: resurfacing and paving of all ditches in preparation for laying of all pipes; Pipe laying of lateral sewer pipe from main or side sewer to buildings or structure (except Contactor may direct work be done under proper supervision); Pipe laying, leveling and marking of the joint used for main or side sewers and storm sewers; Laying of all clay, terra cotta, ironstone, vitrified concrete, HDPE or other pipe for

drainage; Placing and setting of water mains, gas mains and all pipe including removal of skids; Plaster Mortar Mixer/Pump; Pneumatic Impact Wrench; Portable Sawmill Operation: Choker setters, off bearers, and lumber handlers connected with clearing; Posthole Digger (Hand Held, Gas, Air and Electric); Powderman's Tender; Power Broom Sweepers (Small); Preparation and Compaction of roadbeds for railroad track laying, highway construction, and the preparation of trenches, footings, etc., for cross-country transmission by pipelines, electrical transmission or underground lines or cables (by mechanical means); Raising of structure by manual or hydraulic jacks or other methods and resetting of structure in new locations, including all concrete work; Ramming or compaction; Rigging in connection with Laborers' work (except demolition), Signaling (including the use of walkie talkie) Choke Setting, tag line usage; Tagging and Signaling of building materials into high rise units; Riprap, Stonepaver, and Rock Slinger (includes placement of stacked concrete, wet or dry and loading, unloading, signaling, slinging and setting of other similar materials); Rotary Scarifier (including multiple head concrete chipping Scarifier); Salamander Heater, Drying of plaster, concrete mortar or other aggregate; Scaffold Erector Leadman; Scaffolds: (Swing and hanging) including maintenance thereof; Scaler; Septic Tank/Cesspool and Drain Fields Digger and Installer; Shredder/Chipper (tree branches, brush, etc.); Stripping and Setting Forms; Stripping of Forms: Other than panel forms which are to be re-used in their original form, and stripping of forms on all flat arch work; Tampers (Barko, Wacker, and similar type); Tank Scaler and Cleaners; Tarman; Tree Climbers and Trimmers; Trencher (includes hand-held, Davis T-66 and similar type); Trucks (flatbed up to and including 2 1/2 tons when used in connection with on-site Laborers' work; Trucks (Refuse and Garbage Disposal) (from job site to dump); Vibra-Screed (Bull Float in connection with Laborers' work); Well Points, Installation of or any other dewatering system.

Laborer II: Asphalt Plant Laborer; Boring Machine Tender; Bridge Laborer; Burning of all debris (crates, boxes, packaging waste materials); Chainman, Rodmen, and Grade Markers; Cleaning, clearing, grading and/or removal for streets, highways, roadways, aprons, runways, sidewalks, parking areas, airports, approaches, and other similar installations; Cleaning or reconditioning of streets, ways, sewers and waterlines, all maintenance work and work of an unskilled and semi-skilled nature; Concrete Bucket Tender (Groundman) hooking and unhooking of bucket; Concrete Forms; moving, cleaning, oiling and carrying to the next point of erection of all forms; Concrete Products Plant Laborers; Conveyor Tender (conveying of building materials); Crushed Stone Yards and Gravel and Sand Pit Laborers and all other similar plants; Demolition, Wrecking and Salvage Laborers: Wrecking and dismantling of buildings and all structures, with use of cutting or wrecking tools, breaking away, cleaning and removal of all fixtures, All hooking, unhooking, signaling of materials for salvage or scrap removed by crane or derrick; Digging under streets, roadways, aprons or other paved surfaces; Driller's Tender; Chuck Tender, Outside Nipper; Dry-packing of concrete (plugging and filling of she-bolt holes); Fence and/or Guardrail Erector: Dismantling and/or re-installation of all fence; Finegrader; Firewatcher; Flagman (Coning, preparing, stablishing and removing portable roadway

barricade devices); Signal Men on all construction work defined herein, including Traffic Control Signal Men at construction site; General Excavation; Backfilling, Grading and all other labor connected therewith; Digging of trenches, ditches and manholes and the leveling, grading and other preparation prior to laying pipe or conduit for any purpose; Excavations and foundations for buildings, piers, foundations and holes, and all other construction. Preparation of street ways and bridges; General Laborer: Cleaning and Clearing of all debris and surplus material. Clean-up of right-of-way. Clearing and slashing of brush or trees by hand or mechanical cutting. General Clean up: sweeping, cleaning, wash-down, wiping of construction facility and equipment (other than "Light Clean up (Janitorial) Laborer. Garbage and Debris Handlers and Cleaners. Appliance Handling (job site) (after delivery unloading in storage area); Ground and Soil Treatment Work (Pest Control); Gunite/Shotcrete Operator Tender; Junk Yard Laborers (same as Salvage Yard); Laser Beam "Target Man" in connection with Laborers' work; Layout Person for Plastic (when work involves waterproofing for waterpools, artificial lakes and reservoirs); Limbers, Brush Loaders, and Pilers; Loading, Unloading, carrying, distributing and handling of all rods and material for use in reinforcing concrete construction (except when a derrick or outrigger operated by other than hand power is used); Loading, unloading, sorting, stockpiling, handling and distribution of water mains, gas mains and all pipes; Loading and unloading of all materials, fixtures, furnishings and appliances from point of delivery to stockpile to point of installation; hooking and signaling from truck, conveyance or stockpile; Material Yard Laborers; Pipelayer Tender; Pipewrapper, Caulker, Bander, Kettlemen, and men applying asphalt, Laykold, Creosote, and similar-type materials (pipe under 6 inches); Plasterer Laborer; Preparation, construction and maintenance of roadbeds and sub-grade for all paving, including excavation, dumping, and spreading of sub-grade material; Prestressed or precast concrete slabs, walls, or sections: all loading, unloading, stockpiling, hooking on of such slabs, walls or sections; Quarry Laborers; Railroad, Streetcar, and Rail Transit Maintenance and Repair; Roustabout; Rubbish Trucks in connection with Building Construction Projects (excluding clearing, grubbing, and excavating); Salvage Yard: All work connected with cutting, cleaning, storing, stockpiling or handling of materials, all cleanup, removal of debris, burning, back-filling and landscaping of the site; Sandblasting Tender (Pot Tender): Hoses and pots or markers; Scaffolds: Erection, planking and removal of all scaffolds used for support for lathers, plasters, brick layers, masons, and other construction trades crafts; Scaffolds: (Specially designed by carpenters) laborers shall tend said carpenter on erection and dismantling thereof, preparation for foundation or mudsills, maintenance; Scraping of floors; Screeds: Handling of all screeds to be reused; handling, dismantling and conveyance of screeds; Setting, leveling and securing or bracing of metal or other road forms and expansion joints; Sheeting Piling/trench shoring (handling and placing of skip sheet or wood plank trench shoring); Ship Scalers; Shipwright Tender; Sign Erector (subdivision traffic, regulatory, and street-name signs); Sloper; Slurry Seal Crews (Mixer Operator, Applicator, Squeegee Man, Shuttle Man, Top Man); Snapping of wall ties and removal of tie rods; Soil Test operations of semi and unskilled labor such as filling sand bags; Stripper (Asphalt, Concrete or

other Paved Surfaces); Tool Room Attendant (Job Site); Traffic Delineating Device Applicator; Underpinning, lagging, bracing, propping and shoring, loading, signaling, right-of-way clearance along the route of movement, The clearance of new site, excavation of foundation when moving a house or structure from old site to new site; Utilities employees; Water Man; Waterscape/Hardscape Laborers; Wire Mesh Pulling (all concrete pouring operations); Wrecking, stripping, dismantling and handling concrete forms an false work.

 LAB00368-002 09/01/2020

	Rates	Fringes
Landscape & Irrigation Laborers		
GROUP 1.....	\$ 26.40	14.25
GROUP 2.....	\$ 27.40	14.25
GROUP 3.....	\$ 21.70	14.25

LABORERS CLASSIFICATIONS

GROUP 1: Installation of non-potable permanent or temporary irrigation water systems performed for the purposes of Landscaping and Irrigation architectural horticultural work; the installation of drinking fountains and permanent or temporary irrigation systems using potable water for Landscaping and Irrigation architectural horticultural purposes only. This work includes (a) the installation of all heads, risers, valves, valve boxes, vacuum breakers (pressure and non-pressure), low voltage electrical lines and, provided such work involves electrical wiring that will carry 24 volts or less, the installation of sensors, master control panels, display boards, junction boxes, conductors, including all other components for controllers, (b) and metallic (copper, brass, galvanized, or similar) pipe, as well as PVC or other plastic pipe including all work incidental thereto, i.e., unloading, handling and distribution of all pipes fittings, tools, materials and equipment, (c) all soldering work in connection with the above whether done by torch, soldering iron, or other means; (d) tie-in to main lines, thrust blocks (both precast and poured in place), pipe hangers and supports incidental to installation of the entire irrigation system, (e) making of pressure tests, start-up testing, flushing, purging, water balancing, placing into operation all irrigation equipment, fixtures and appurtenances installed under this agreement, and (f) the fabrication, replacement, repair and servicing of landscaping and irrigation systems. Operation of hand-held gas, air, electric, or self-powered tools and equipment used in the performance of Landscape and Irrigation work in connection with architectural horticulture; Choke-setting, signaling, and rigging for equipment operators on job-site in the performance of such Landscaping and Irrigation work; Concrete work (wet or dry) performed in connection with such Landscaping and Irrigation work. This work shall also include the setting of rock, stone, or riprap in connection with such Landscape, Waterscape, Rockscape, and Irrigation work; Grubbing, pick and shovel excavation, and hand rolling or tamping in connection with the performance of such Landscaping and Irrigation work; Sprigging, handseeding, and planting of trees, shrubs, ground covers, and other

plantings and the performance of all types of gardening and horticultural work relating to said planting; Operation of flat bed trucks (up to and including 2 1/2 tons)..

GROUP 2. Layout of irrigation and other non-potable irrigation water systems and the layout of drinking fountains and other potable irrigation water systems in connection with such Landscaping and Irrigation work. This includes the layout of all heads, risers, valves, valve boxes, vacuum breakers, low voltage electrical lines, hydraulic and electrical controllers, and metallic (coppers, brass, galvanized, or similar) pipe, as well as PVC or other plastic pipe. This work also includes the reading and interpretation of plans and specifications in connection with the layout of Landscaping, Rockscape, Waterscape, and Irrigation work; Operation of Hydro-Mulching machines (sprayman and driver), Drillers, Trenchers (riding type, Davis T-66, and similar) and fork lifts used in connection with the performance of such Landscaping and Irrigation work; Tree climbers and chain saw tree trimmers, Sporadic operation (when used in connection with Landscaping, Rockscape, Waterscape, and Irrigation work) of Skid-Steer Loaders (Bobcat and similar), Cranes (Bantam, Grove, and similar), Hoptos, Backhoes, Loaders, Rollers, and Dozers (Case, John Deere, and similar), Water Trucks, Trucks requiring a State of Hawaii Public Utilities Commission Type 5 and/or type 7 license, sit-down type and ""gang"" mowers, and other self-propelled, sit-down operated machines not listed under Landscape & Irrigation Maintenance Laborer; Chemical spraying using self-propelled power spraying equipment (200 gallon capacity or more).

GROUP 3: Maintenance of trees, shrubs, ground covers, lawns and other planted areas, including the replanting of trees, shrubs, ground covers, and other plantings that did not ""take"" or which are damaged; provided, however, that re-planting that requires the use of equipment, machinery, or power tools shall be paid for at the rate of pay specified under Landscape and Irrigation Laborer, Group 1; Raking, mowing, trimming, and runing, including the use of ""weed eaters"", hedge trimmers, vacuums, blowers, and other hand-held gas, air, electric, or self-powered tools, and the operation of lawn mowers (Note: The operation of sit-down type and ""gang"" mowers shall be paid for at the rate of pay specified under Landscape & Irrigation Laborer, Group 2); Guywiring, staking, propping, and supporting trees; Fertilizing, Chemical spraying using spray equipment with less than 200 gallon capacity, Maintaining irrigation and sprinkler systems, including the staking, clamping, and adjustment of risers, and the adjustment and/or replacement of sprinkler heads, (Note: the cleaning and gluing of pipe and fittings shall be paid for at the rate of pay specified under Landscape & Irrigation Laborer(Group 1); Watering by hand or sprinkler system and the performance of other types of gardening, yardman, and horticultural-related work.

LAB00368-003 09/02/2020

	Rates	Fringes
Underground Laborer		
GROUP 1.....	\$ 39.30	22.68
GROUP 2.....	\$ 40.80	22.68

GROUP 3.....	\$ 41.30	22.68
GROUP 4.....	\$ 42.30	22.68
GROUP 5.....	\$ 42.65	22.68
GROUP 6.....	\$ 42.90	22.68
GROUP 7.....	\$ 43.35	22.68

GROUP 1: Watchmen; Change House Attendant.

GROUP 2: Swamper; Brakeman; Bull Gang-Muckers, Trackmen; Dumpmen (any method); Concrete Crew (includes rodding and spreading); Grout Crew; Reboundmen

GROUP 3: Chucktenders and Cabletenders; Powderman (Prime House); Vibratorman, Pavement Breakers

GROUP 4: Miners - Tunnel (including top and bottom man on shaft and raise work); Timberman, Retimberman (wood or steel or substitute materials thereof); Blasters, Drillers, Powderman (in heading); Microtunnel Laborer; Headman; Cherry Pickerman (where car is lifted); Nipper; Grout Gunmen; Grout Pumpman & Potman; Gunite, Shotcrete Gunmen & Potmen; Concrete Finisher (in tunnel); Concrete Screed Man; Bit Grinder; Steel Form Raisers & Setters; High Pressure Nozzleman; Nozzleman (on slick line); Sandblaster-Potman (combination work assignment interchangeable); Tugger

GROUP 5: Shaft Work & Raise (below actual or excavated ground level); Diamond Driller; Gunite or Shotcrete Nozzleman; Rodman; Groundman

GROUP 6: Shifter

GROUP 7: Shifter (Shaft Work & Raiser)

PAIN1791-001 07/01/2021

	Rates	Fringes
Painters:		
Brush.....	\$ 38.90	30.09
Sandblaster; Spray.....	\$ 38.90	30.09

PAIN1889-001 07/01/2021

	Rates	Fringes
Glaziers.....	\$ 40.50	36.18

PAIN1926-001 02/28/2021

	Rates	Fringes
Soft Floor Layers.....	\$ 37.77	32.07

PAIN1944-001 01/05/2020

	Rates	Fringes
Taper.....	\$ 43.10	29.90

PLAS0630-001 08/30/2021

	Rates	Fringes
--	-------	---------

PLASTERER.....\$ 44.21 32.83

PLAS0630-002 08/31/2020

Rates Fringes

Cement Masons:

Cement Masons.....\$ 42.65 32.29
Trowel Machine Operators....\$ 42.80 32.29

PLUM0675-001 07/04/2021

Rates Fringes

Plumber, Pipefitter,
Steamfitter & Sprinkler Fitter...\$ 48.63 28.40

ROOF0221-001 09/05/2021

Rates Fringes

Roofers (Including Built Up,
Composition and Single Ply).....\$ 42.55 20.78

SHEE0293-001 09/02/2018

Rates Fringes

Sheet metal worker.....\$ 42.55 27.44

SUHI1997-002 09/15/1997

Rates Fringes

Drapery Installer.....\$ 13.60 1.20

FENCE ERECTOR (Chain Link
Fence).....\$ 9.33 1.65

WELDERS - Receive rate prescribed for craft performing
operation to which welding is incidental.

=====
Note: Executive Order (EO) 13706, Establishing Paid Sick Leave for Federal Contractors applies to all contracts subject to the Davis-Bacon Act for which the contract is awarded (and any solicitation was issued) on or after January 1, 2017. If this contract is covered by the EO, the contractor must provide employees with 1 hour of paid sick leave for every 30 hours they work, up to 56 hours of paid sick leave each year. Employees must be permitted to use paid sick leave for their own illness, injury or other health-related needs, including preventive care; to assist a family member (or person who is like family to the employee) who is ill, injured, or has other health-related needs, including preventive care; or for reasons resulting from, or to assist a family member (or person who is like family to the employee) who is a victim of, domestic violence, sexual assault, or stalking. Additional information on contractor requirements and worker protections under the EO is available at www.dol.gov/whd/govcontracts.

Unlisted classifications needed for work not included within the scope of the classifications listed may be added after

award only as provided in the labor standards contract clauses (29CFR 5.5 (a) (1) (ii)).

The body of each wage determination lists the classification and wage rates that have been found to be prevailing for the cited type(s) of construction in the area covered by the wage determination. The classifications are listed in alphabetical order of ""identifiers"" that indicate whether the particular rate is a union rate (current union negotiated rate for local), a survey rate (weighted average rate) or a union average rate (weighted union average rate).

Union Rate Identifiers

A four letter classification abbreviation identifier enclosed in dotted lines beginning with characters other than ""SU"" or ""UAVG"" denotes that the union classification and rate were prevailing for that classification in the survey. Example: PLUM0198-005 07/01/2014. PLUM is an abbreviation identifier of the union which prevailed in the survey for this classification, which in this example would be Plumbers. 0198 indicates the local union number or district council number where applicable, i.e., Plumbers Local 0198. The next number, 005 in the example, is an internal number used in processing the wage determination. 07/01/2014 is the effective date of the most current negotiated rate, which in this example is July 1, 2014.

Union prevailing wage rates are updated to reflect all rate changes in the collective bargaining agreement (CBA) governing this classification and rate.

Survey Rate Identifiers

Classifications listed under the ""SU"" identifier indicate that no one rate prevailed for this classification in the survey and the published rate is derived by computing a weighted average rate based on all the rates reported in the survey for that classification. As this weighted average rate includes all rates reported in the survey, it may include both union and non-union rates. Example: SULA2012-007 5/13/2014. SU indicates the rates are survey rates based on a weighted average calculation of rates and are not majority rates. LA indicates the State of Louisiana. 2012 is the year of survey on which these classifications and rates are based. The next number, 007 in the example, is an internal number used in producing the wage determination. 5/13/2014 indicates the survey completion date for the classifications and rates under that identifier.

Survey wage rates are not updated and remain in effect until a new survey is conducted.

Union Average Rate Identifiers

Classification(s) listed under the UAVG identifier indicate that no single majority rate prevailed for those classifications; however, 100% of the data reported for the classifications was union data. EXAMPLE: UAVG-OH-0010 08/29/2014. UAVG indicates that the rate is a weighted union average rate. OH indicates the state. The next number, 0010 in the example, is an internal number used in producing the wage

determination. 08/29/2014 indicates the survey completion date for the classifications and rates under that identifier.

A UAVG rate will be updated once a year, usually in January of each year, to reflect a weighted average of the current negotiated/CBA rate of the union locals from which the rate is based.

WAGE DETERMINATION APPEALS PROCESS

1.) Has there been an initial decision in the matter? This can be:

- * an existing published wage determination
- * a survey underlying a wage determination
- * a Wage and Hour Division letter setting forth a position on a wage determination matter
- * a conformance (additional classification and rate) ruling

On survey related matters, initial contact, including requests for summaries of surveys, should be with the Wage and Hour Regional Office for the area in which the survey was conducted because those Regional Offices have responsibility for the Davis-Bacon survey program. If the response from this initial contact is not satisfactory, then the process described in 2.) and 3.) should be followed.

With regard to any other matter not yet ripe for the formal process described here, initial contact should be with the Branch of Construction Wage Determinations. Write to:

Branch of Construction Wage Determinations
Wage and Hour Division
U.S. Department of Labor
200 Constitution Avenue, N.W.
Washington, DC 20210

2.) If the answer to the question in 1.) is yes, then an interested party (those affected by the action) can request review and reconsideration from the Wage and Hour Administrator (See 29 CFR Part 1.8 and 29 CFR Part 7). Write to:

Wage and Hour Administrator
U.S. Department of Labor
200 Constitution Avenue, N.W.
Washington, DC 20210

The request should be accompanied by a full statement of the interested party's position and by any information (wage payment data, project description, area practice material, etc.) that the requestor considers relevant to the issue.

3.) If the decision of the Administrator is not favorable, an interested party may appeal directly to the Administrative Review Board (formerly the Wage Appeals Board). Write to:

Administrative Review Board
U.S. Department of Labor
200 Constitution Avenue, N.W.
Washington, DC 20210

4.) All decisions by the Administrative Review Board are final.

=====

END OF GENERAL DECISION"

PROPOSAL SCHEDULE

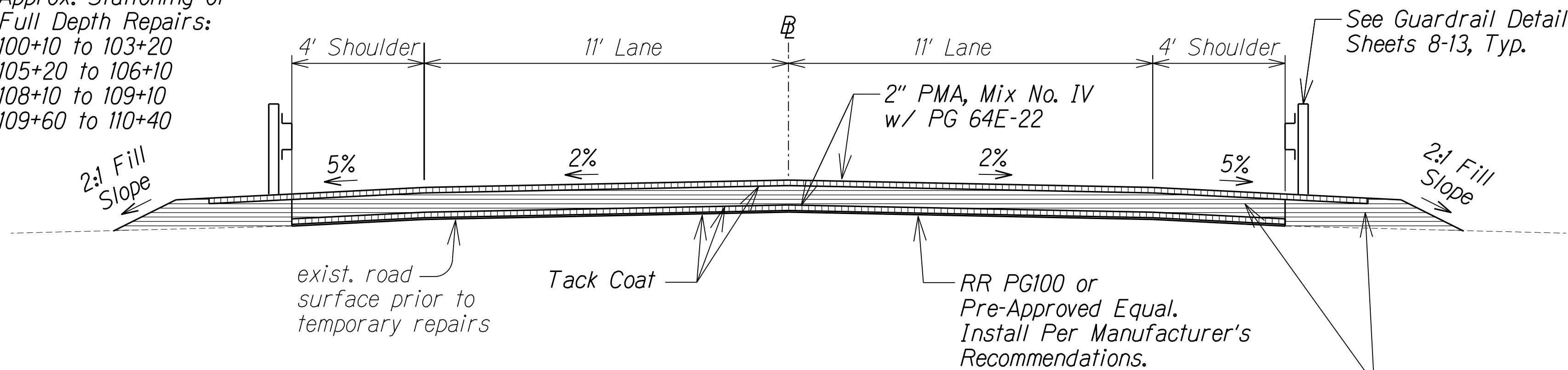
ITEM NO.	ITEM	APPROX. QUANTITY	UNIT	UNIT PRICE	AMOUNT
209.0100	Installation, Maintenance, Monitoring, and Removal of BMP	L.S.	L.S.	L.S.	\$ _____
209.0200	Additional Water Pollution, Dust, and Erosion Control	F.A.	F.A.	F.A.	<u>\$ 20,000.00</u>
301.0100	Polymer Modified ACB	1,080	TON	\$ _____	\$ _____
401.0500	PMA Pavement, Mix No. IV	610	TON	\$ _____	\$ _____
412.1000	Rapid Repair PG100 or Pre-Approved Equal	4,350	S.Y.	\$ _____	\$ _____
415.0050	Cold Planing	L.S.	L.S.	L.S.	\$ _____
503.1000	Preparation of Concrete Thermal Panels	F.A.	F.A.	F.A.	<u>\$ 25,000.00</u>
606.3112	Guardrail Type – Midwest Guardrail System (6-ft Post)	188	L.F.	\$ _____	\$ _____
606.3113	Guardrail Type – Midwest Guardrail System (9-ft Post)	1,050	L.F.	\$ _____	\$ _____
606.3200	Transition Section Type – Midwest Guardrail System	4	Each	\$ _____	\$ _____
606.7020	End Anchorage Type – Modified “A-1” Flare End Treatment	4	Each	\$ _____	\$ _____
629.0404	4-Inch Double Yellow Pavement Striping (Thermoplastic Extrusion)	1,300	L.F.	\$ _____	\$ _____
629.0500	6-Inch Pavement Striping (Thermoplastic Extrusion)	2,600	L.F.	\$ _____	\$ _____
629.2030	Type C Pavement Marker	66	Each	\$ _____	\$ _____

PROPOSAL SCHEDULE

ITEM NO.	ITEM	APPROX. QUANTITY	UNIT	UNIT PRICE	AMOUNT
629.2040	Type D Pavement Marker	66	Each	\$ _____	\$ _____
636.0100	E-Construction License(s)	F.A.	F.A.	F.A.	<u>\$ 12,500.00</u>
645.0200	Traffic Control	L.S.	L.S.	L.S.	\$ _____
645.2000	Additional Police Officers, Additional Traffic Control Devices, and Advertisement	F.A.	F.A.	F.A.	<u>\$ 50,000.00</u>
648.0100	Field-Posted Drawings	L.S.	L.S.	L.S.	\$ _____
671.1000	Protection of Endangered Species	F.A.	F.A.	F.A.	<u>\$ 25,000.00</u>
699.1000	Mobilization (Not to Exceed 6 Percent of the Sum of All Items Excluding the Bid Price of this Item)	L.S.	L.S.	L.S.	\$ _____
Sum of All Items					\$ _____
<p>NOTES: Bidders must complete all unit prices and amounts. Failure to do so may be grounds for rejection of bid.</p>					

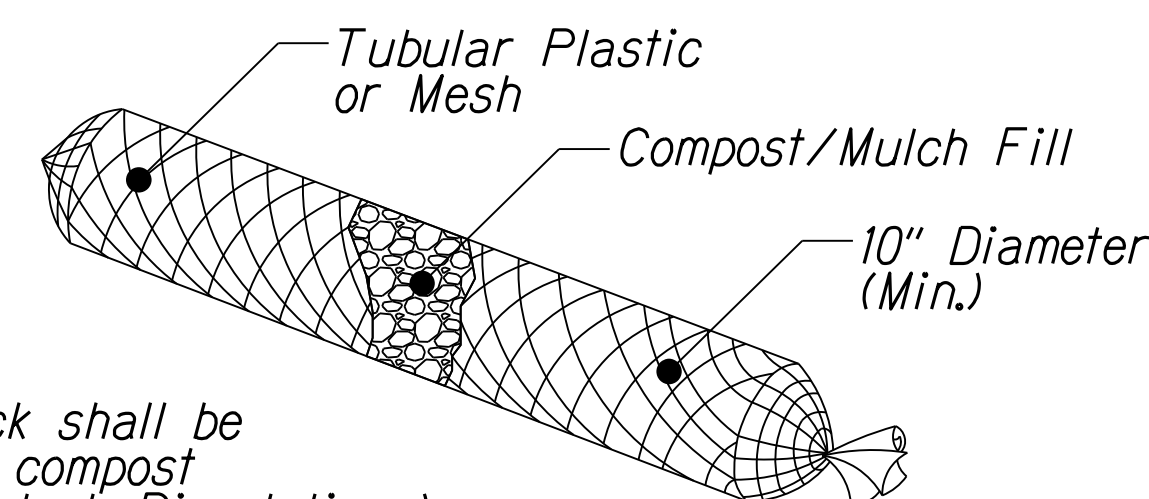
FED. ROAD DIST. NO.	STATE	FED. AID PROJ. NO.	FISCAL YEAR	SHEET NO.	TOTAL SHEETS
HAWAII	HAW.	ER-21(005)	2021	ADD.7	24

△ **Approx. Stationing of Full Depth Repairs:**
 100+10 to 103+20
 105+20 to 106+10
 108+10 to 109+10
 109+60 to 110+40



TYPICAL SECTION - FULL DEPTH
 Not to Scale

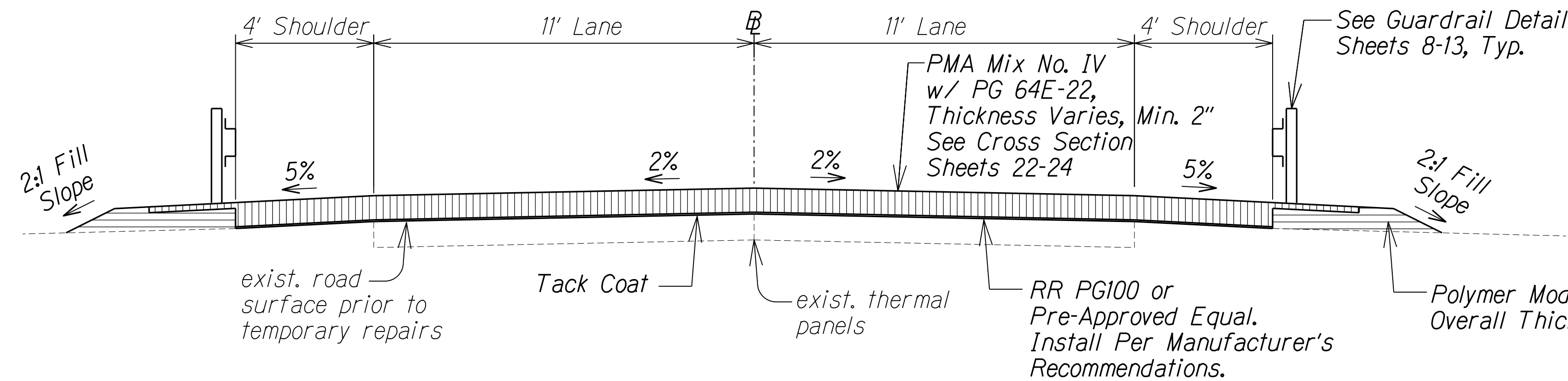
▨ PMA, Mix No. IV w/ PG 64E-22
 ▨ Polymer Modified ACB w/ PG 64E-22



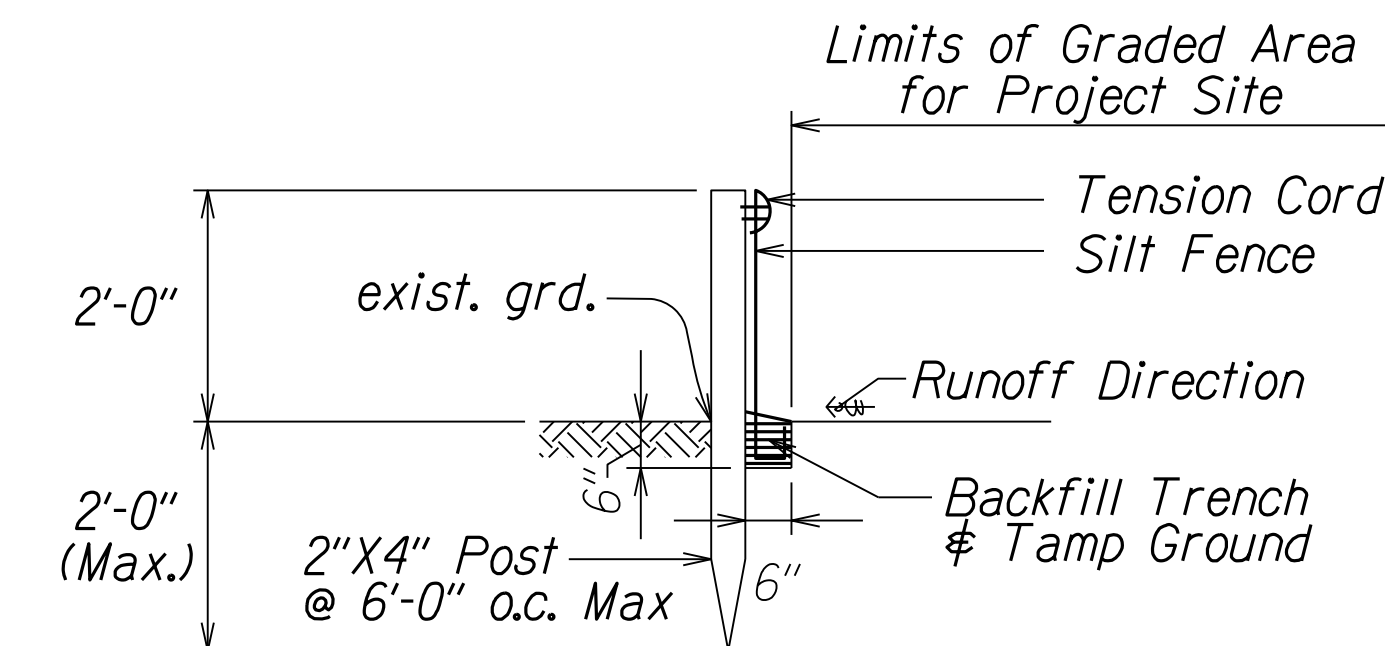
NOTES:

1. Filter sock shall be "Biosock" compost (by Envirotech Biosolutions) or pre-approved equal. Install per manufacturer's recommendations.
2. Filter sock shall not contain biosolids and shall be consistent with EPA guidelines.
3. Staking, where required, shall be installed per manufacturer's recommendations.
4. Minimum overlap shall be 2' on the horizontal plane.

FILTER SOCK DETAIL
 Not to Scale

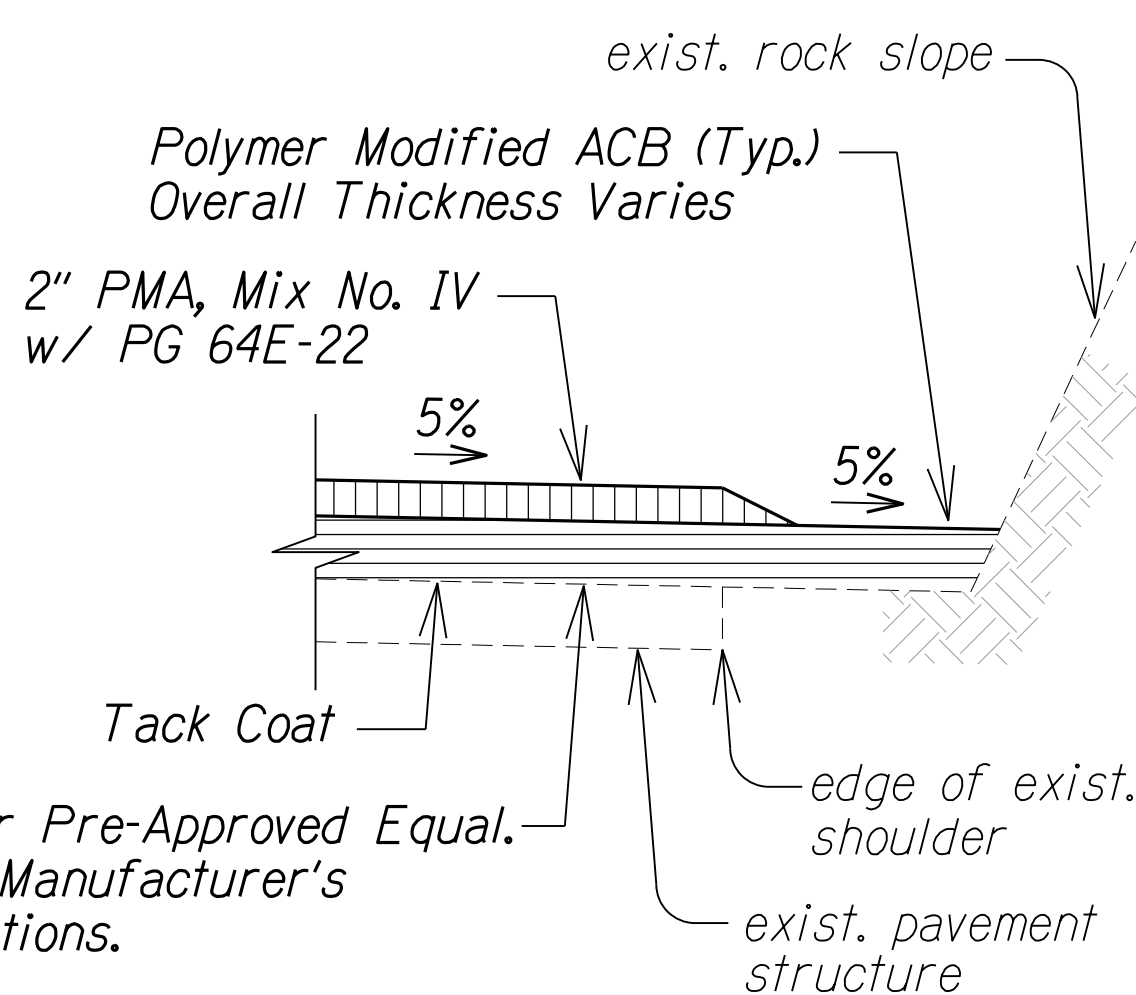


TYPICAL SECTION - PMA MIX NO. IV THICKNESS FROM 2" TO 6"
 Not to Scale

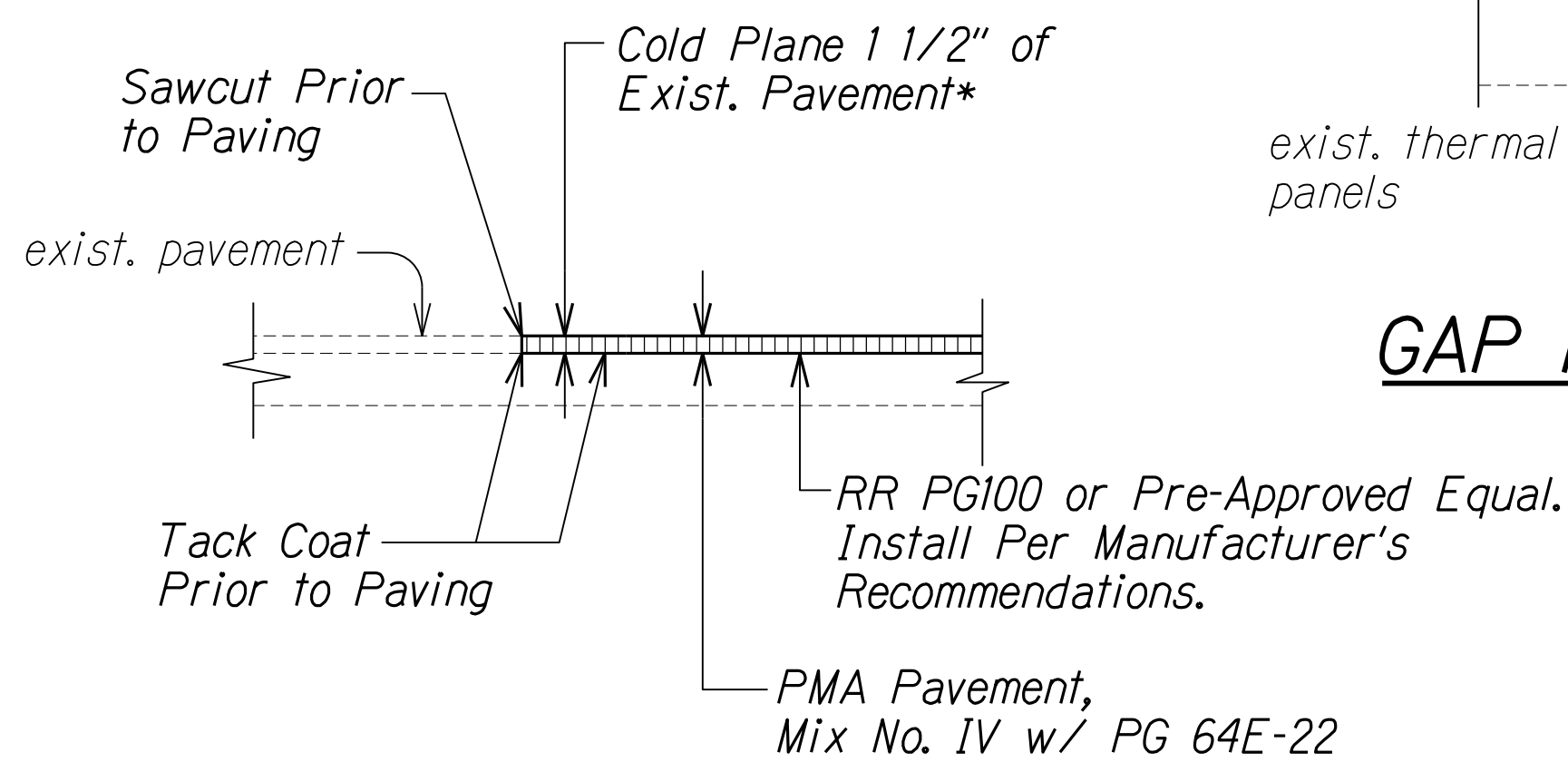


(For Overland Flow Condition)

SILT FENCE DETAIL
 Not to Scale

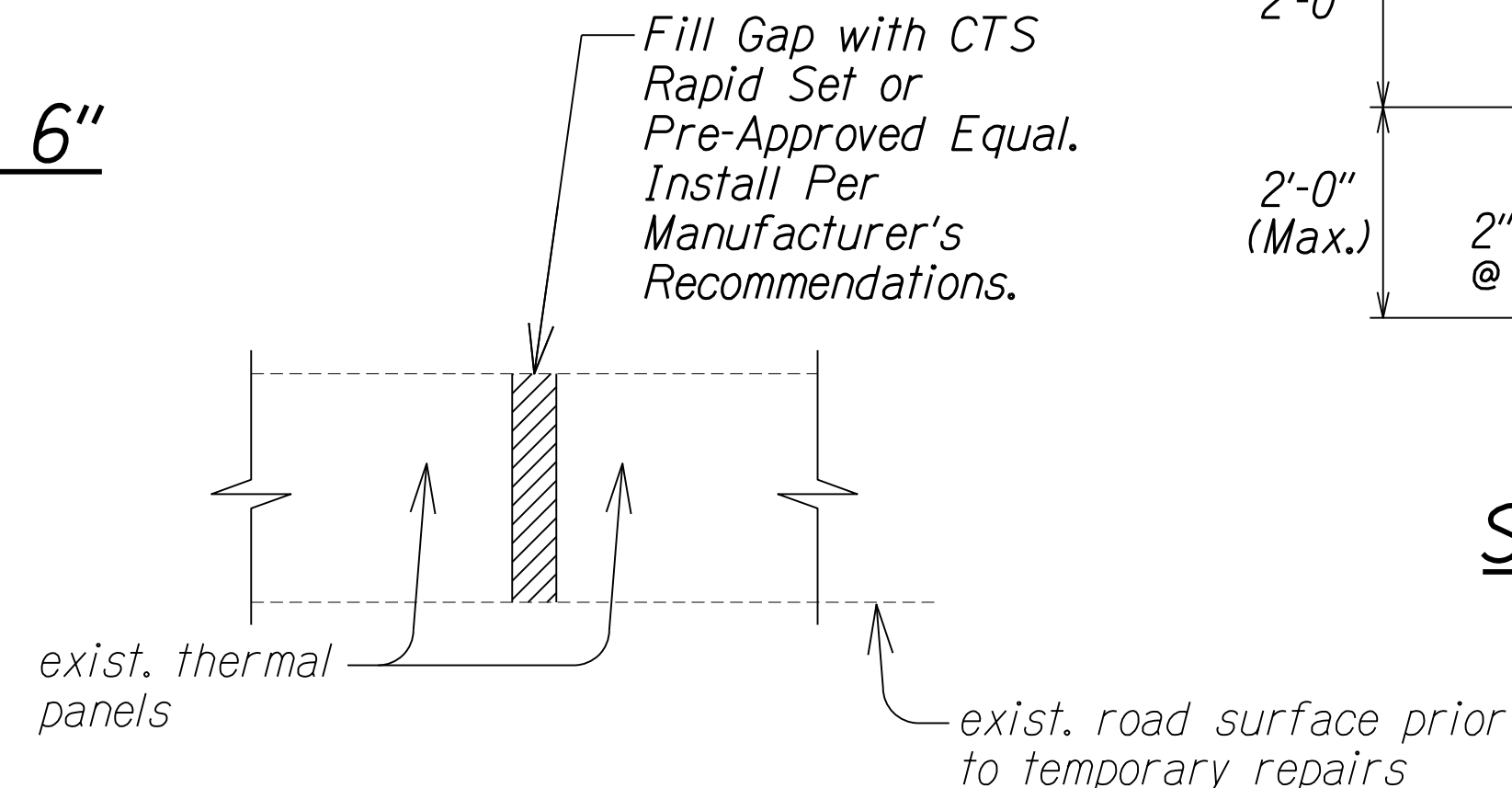


TYPICAL SECTION - PAVEMENT STRUCTURE IN ROCK CUT CONDITIONS
 Not to Scale

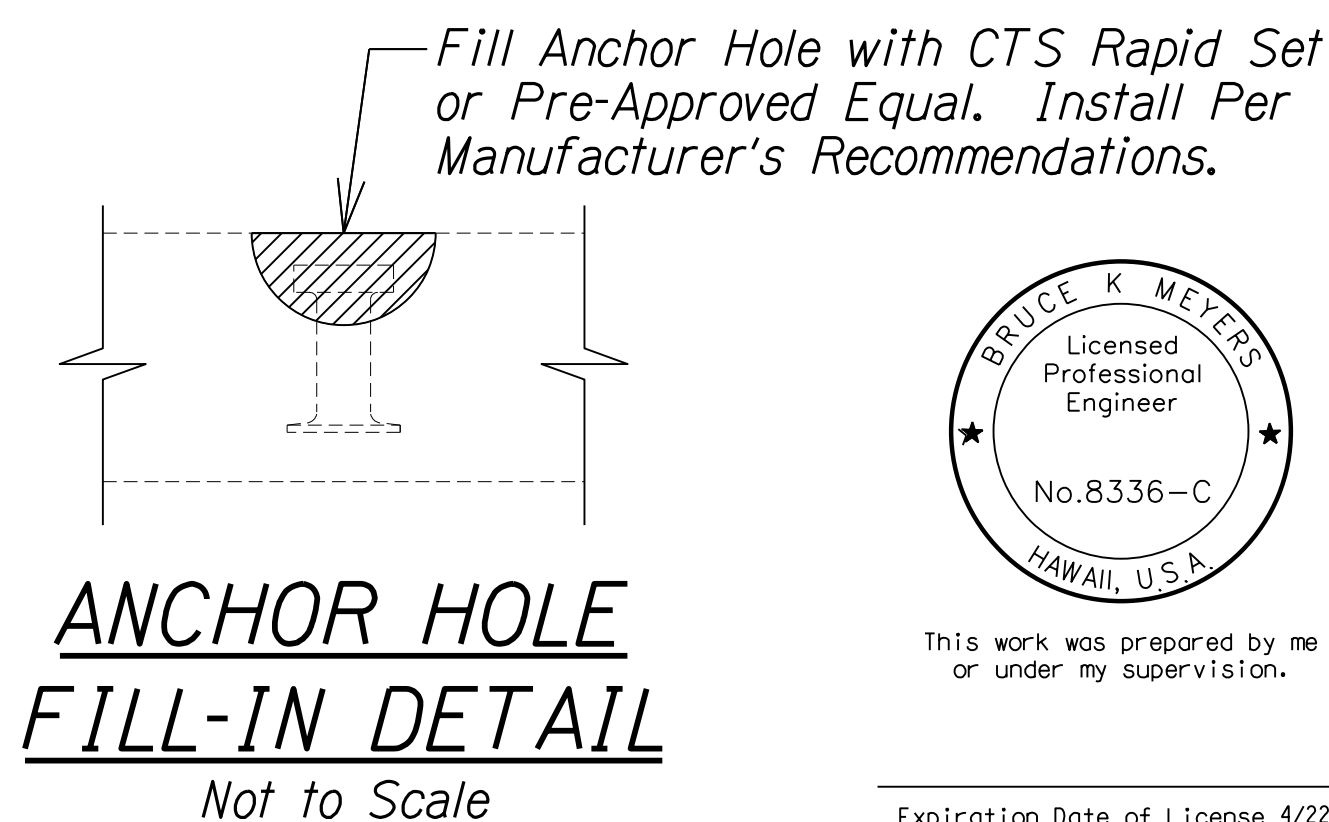


CONNECTION TO EXISTING A.C. PAVEMENT DETAIL
 Not to Scale

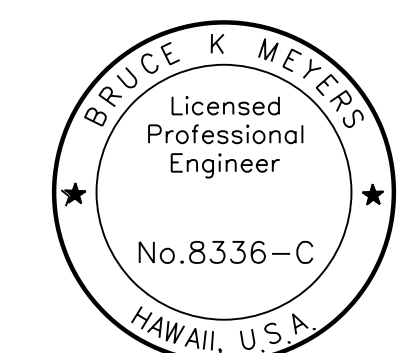
*See road profile for length of cold plane.



GAP FILLER DETAIL
 Not to Scale



ANCHOR HOLE FILL-IN DETAIL
 Not to Scale



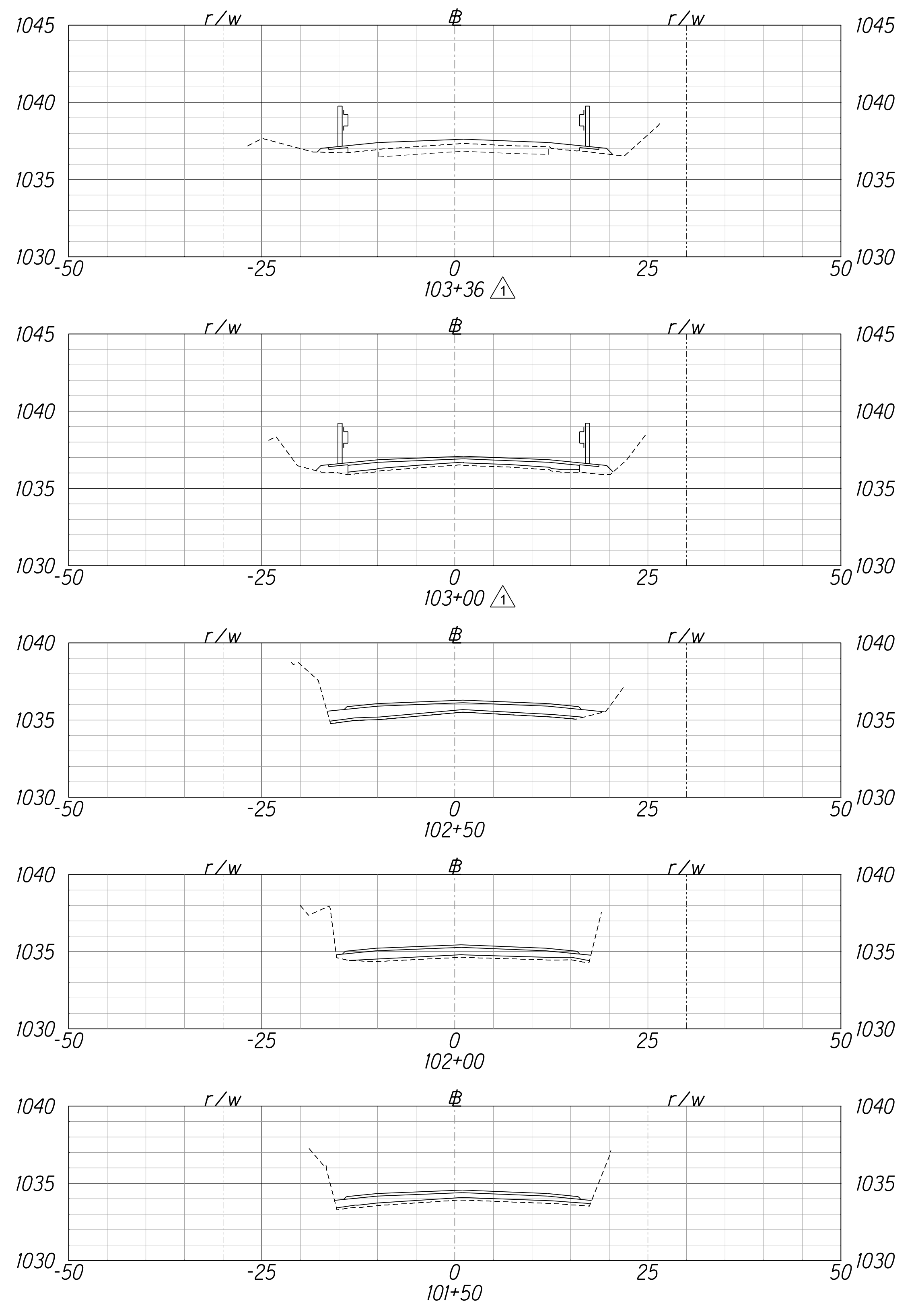
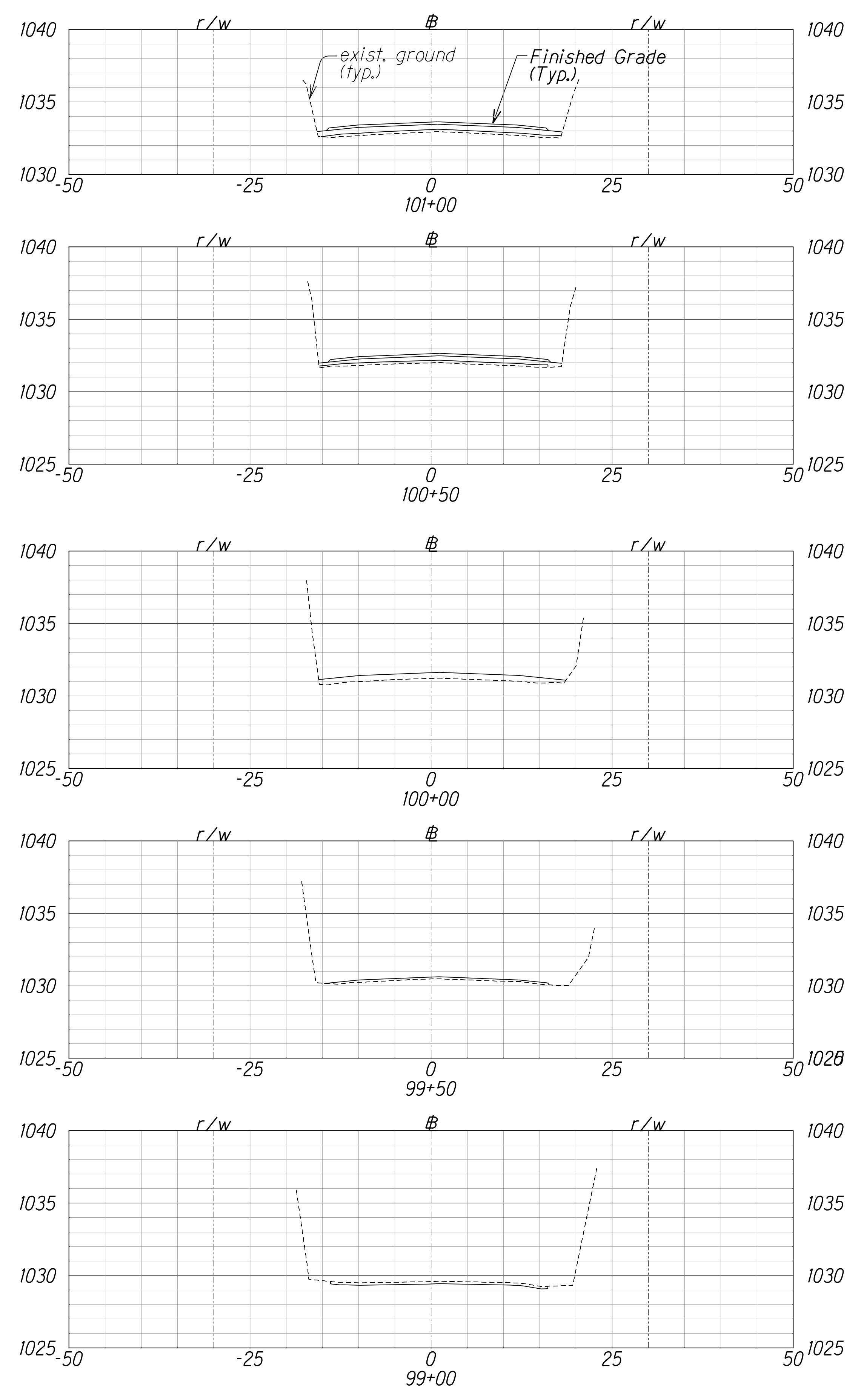
This work was prepared by me or under my supervision.

Expiration Date of License 4/22

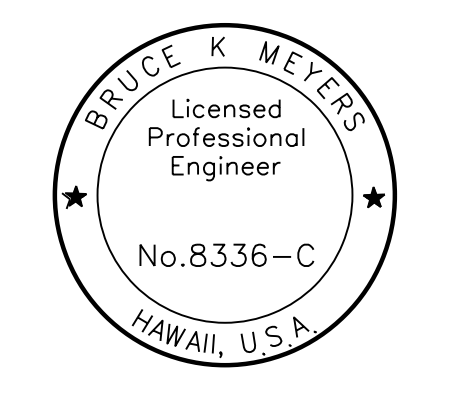
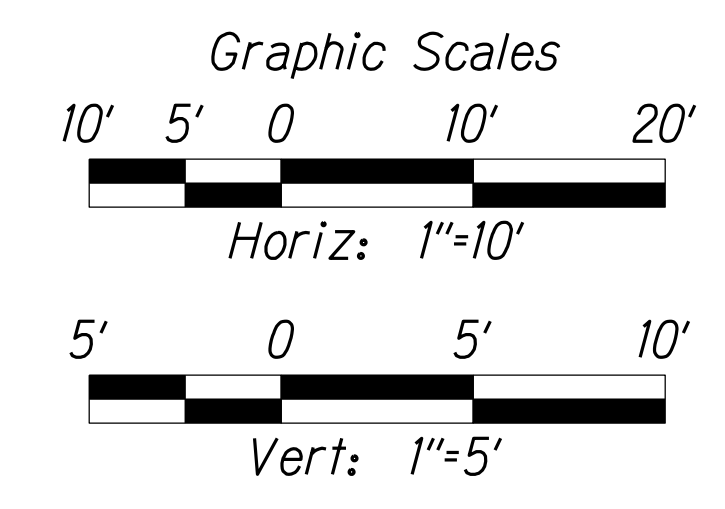
DESIGNED BY	DATE
CHECKED BY	
QUANTITIES BY	
TRACED BY	
BRANDED BY	
REVISIONS	
ORIGINAL PLAN	
NOTE BOOK	
N°	

10/25/21	△ Addendum No. 1
Date	Description
STATE OF HAWAII DEPARTMENT OF TRANSPORTATION HIGHWAYS DIVISION	
TYPICAL SECTION & DETAILS	
PAHOA-KALAPANA ROAD 2018 KILAUEA ERUPTION PERMANENT REPAIRS Federal Aid Project No. ER-21(005) Scale: NTS Date: August 2021	
SHEET No. 1 OF 1 SHEETS	

FED. ROAD DIST. NO.	STATE	FED. AID PROJ. NO.	FISCAL YEAR	SHEET NO.	TOTAL SHEETS
HAWAII	HAW.	ER-21(005)	2021	ADD.22	24



DATE	_____
SURVEY OBTAINED BY	_____
DESIGNED BY	_____
TRACED BY	_____
DESIGNED BY	_____
QUANTITIES BY	_____
CHECKED BY	_____
NOTE BOOK	_____
No.	_____

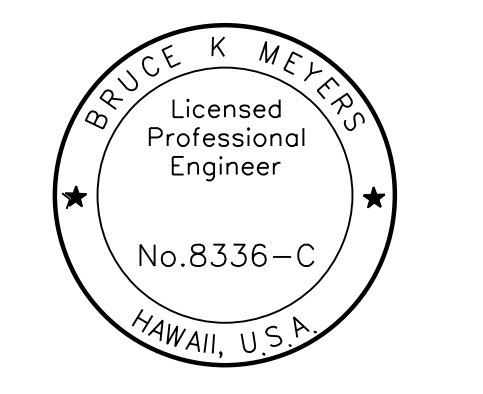
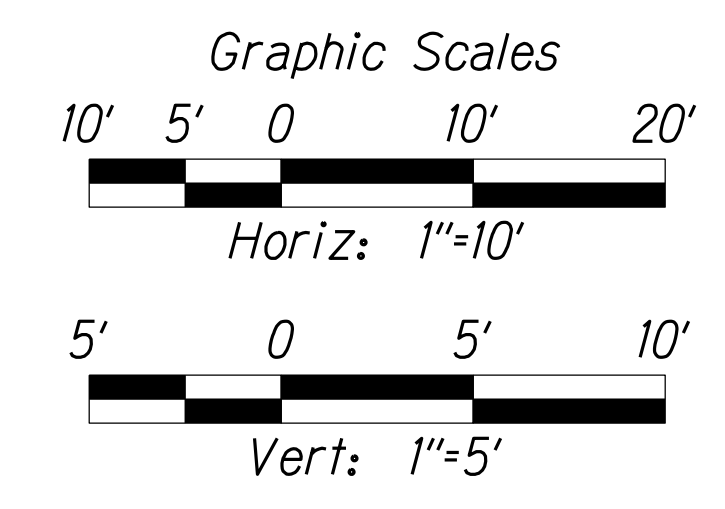
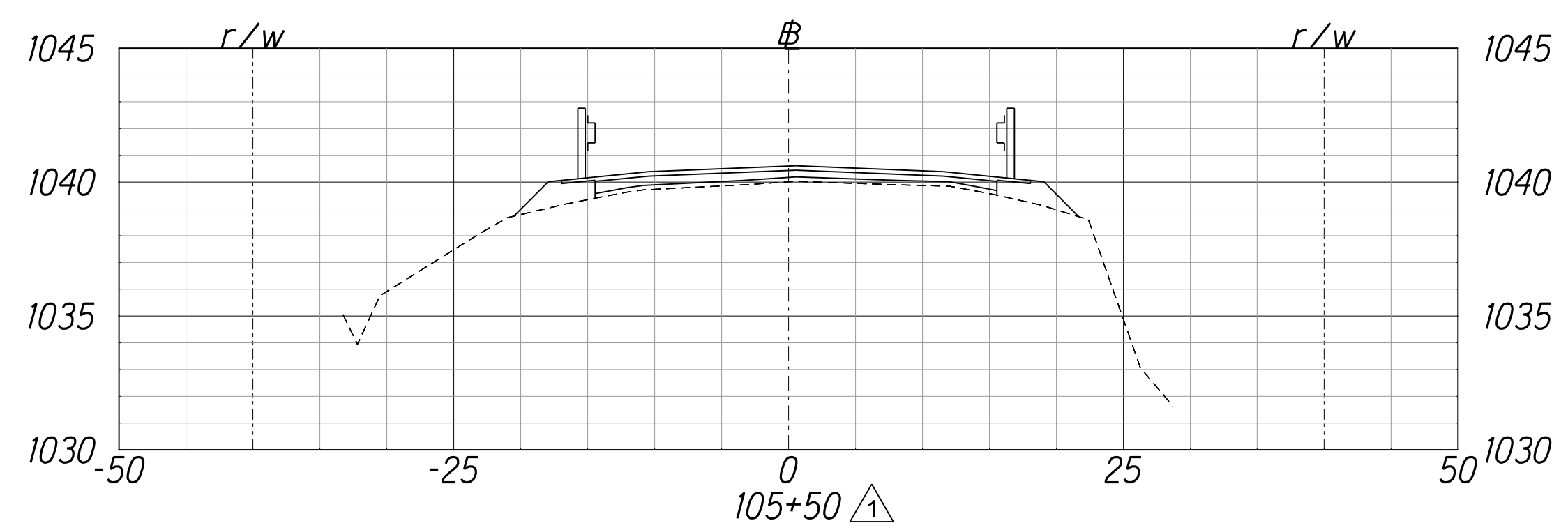
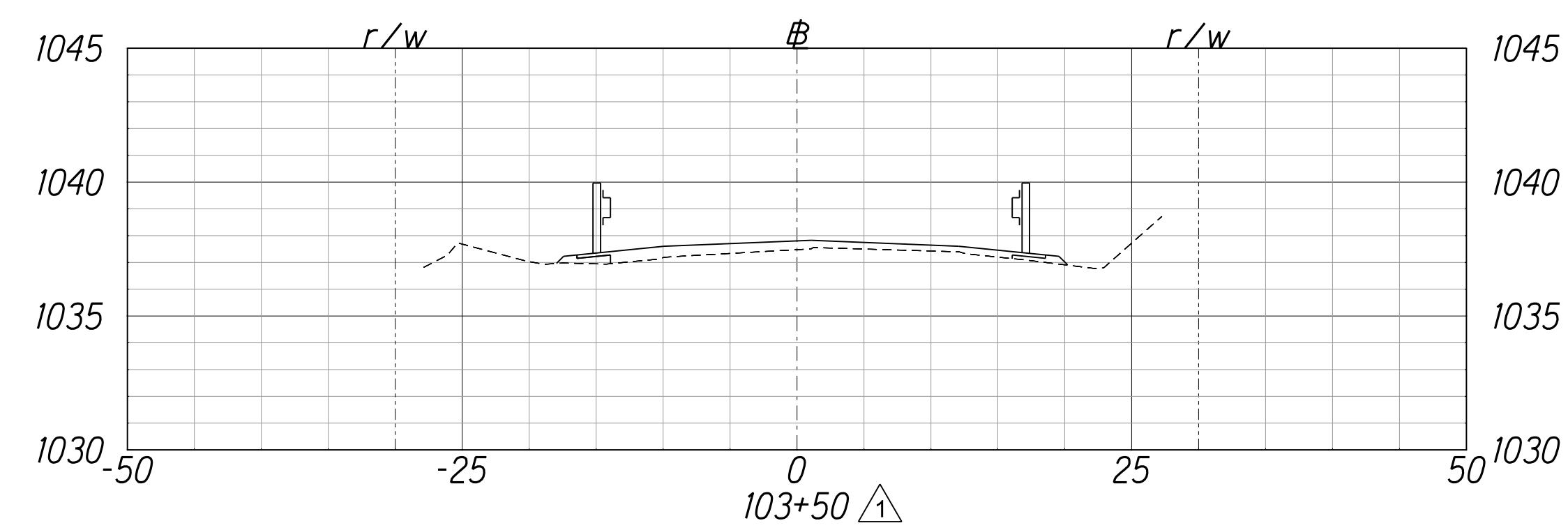
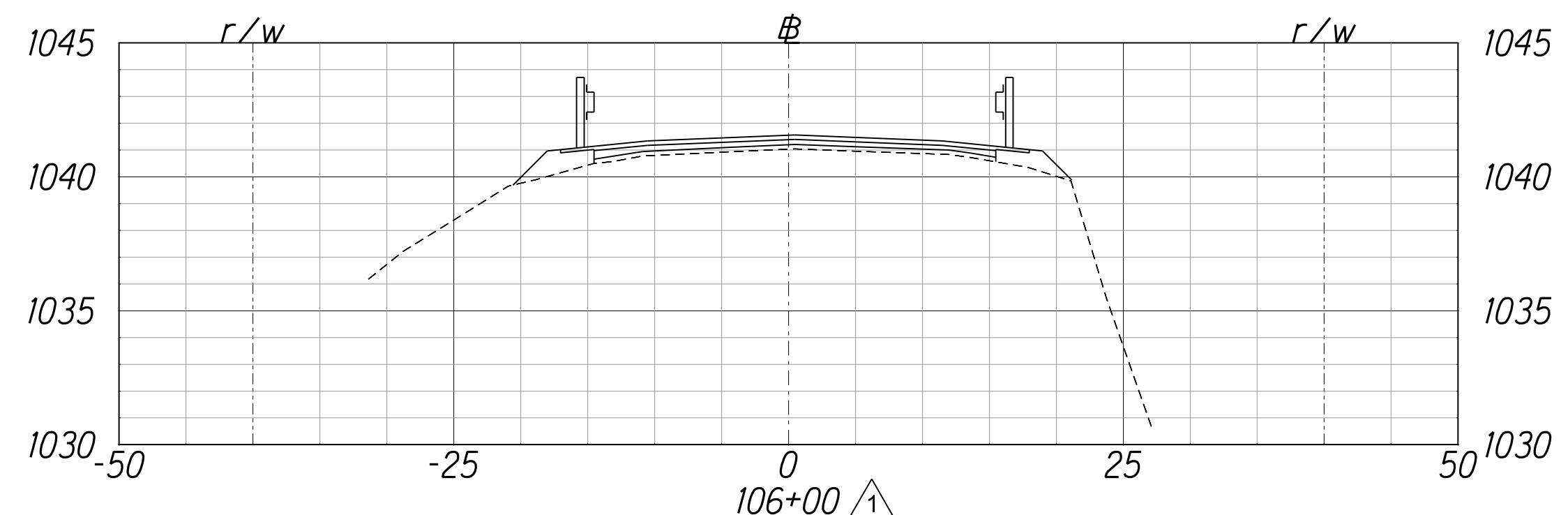
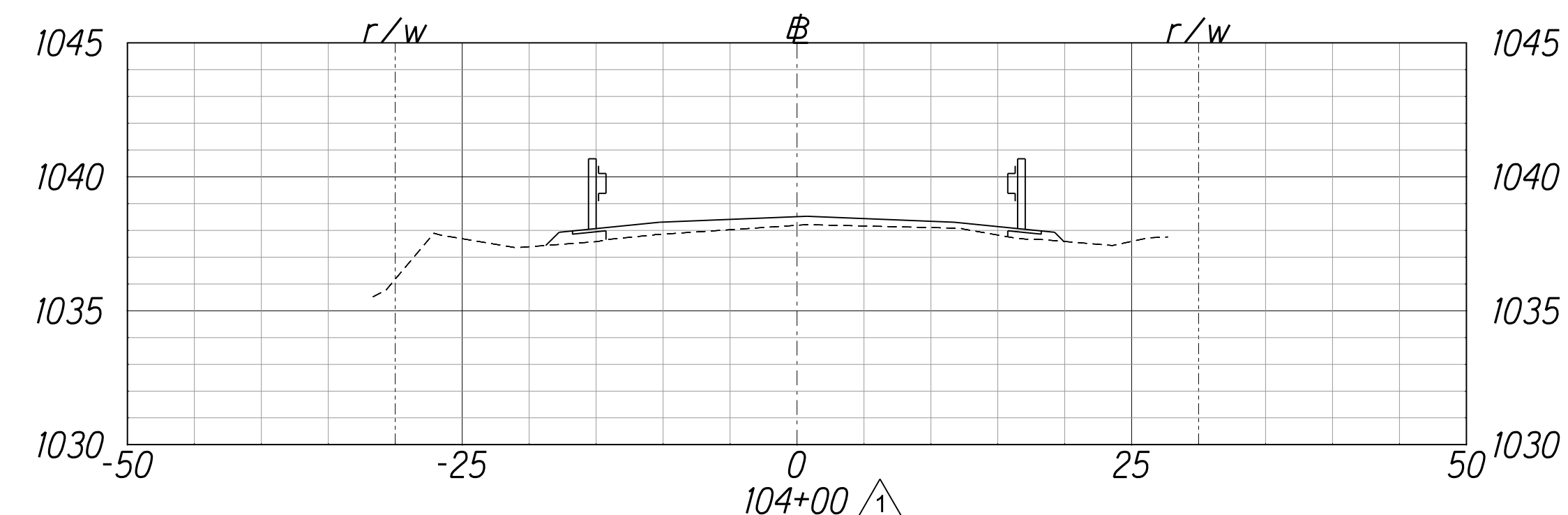
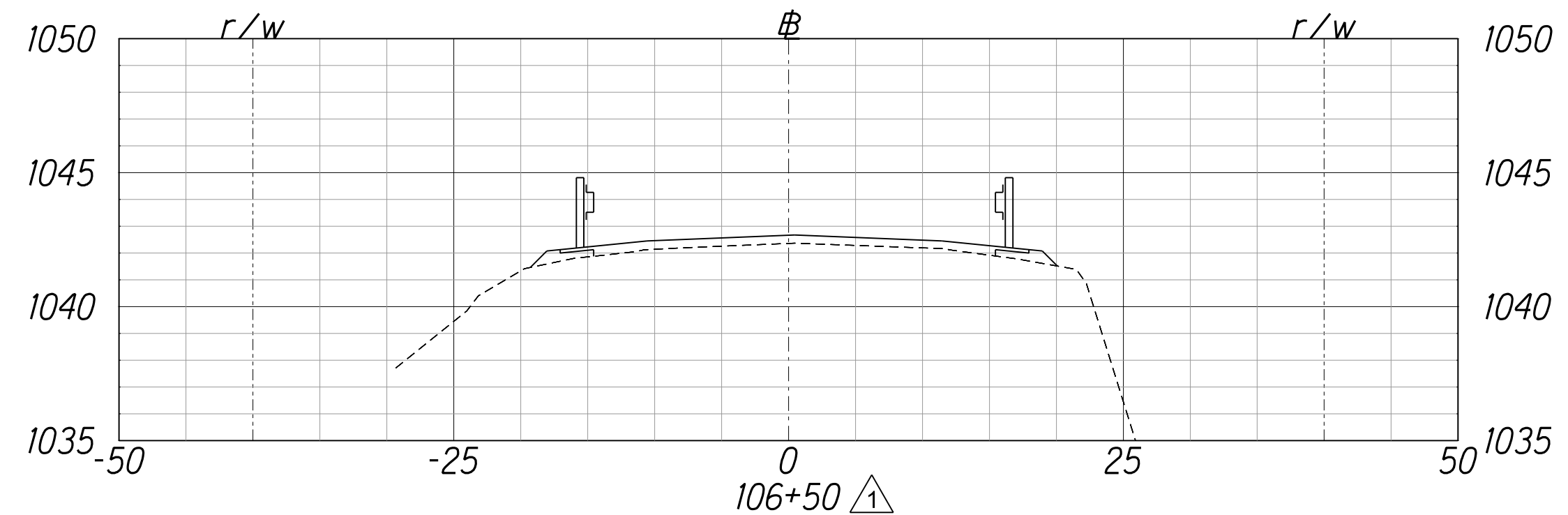
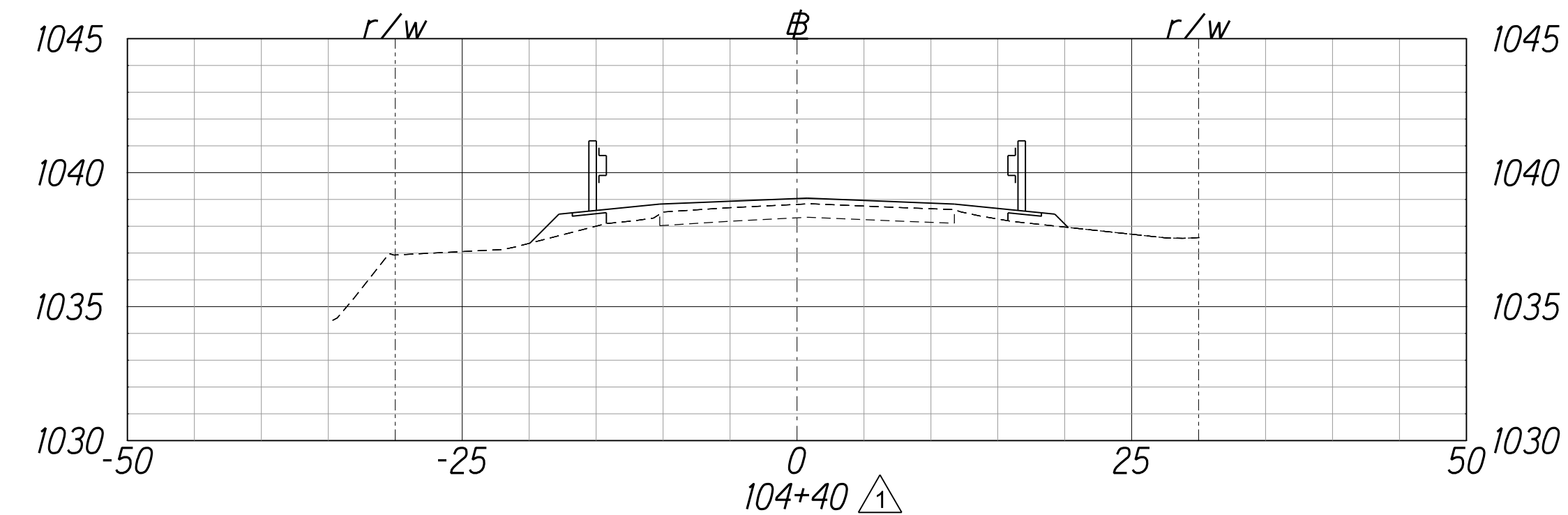
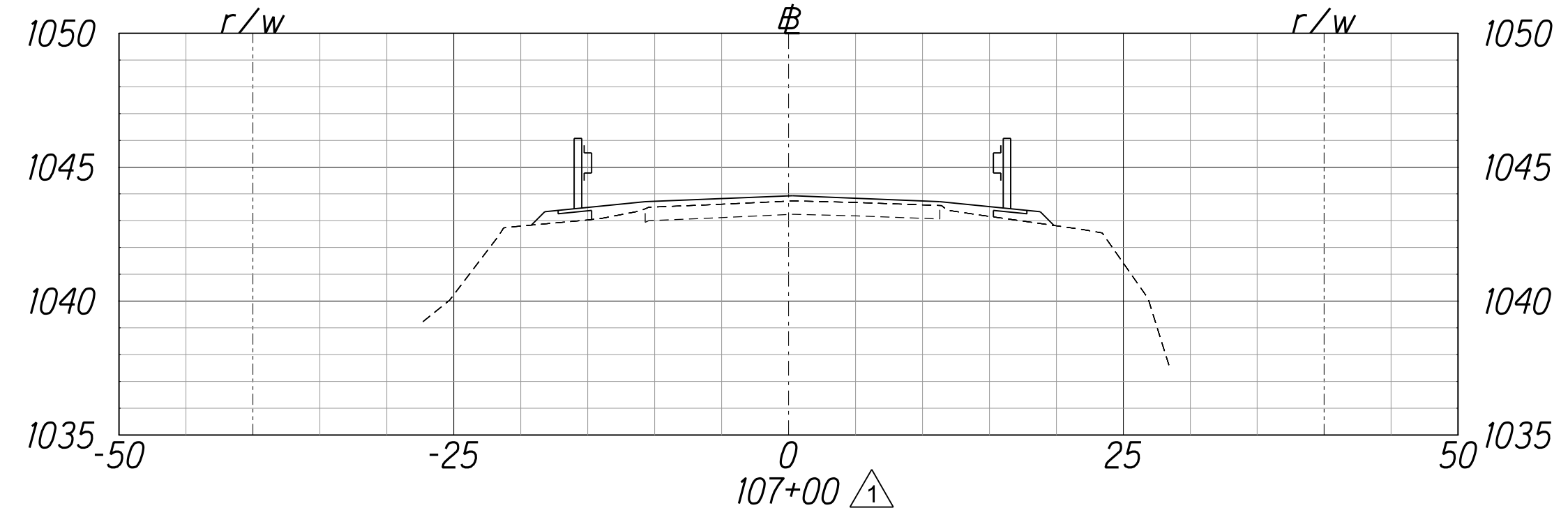
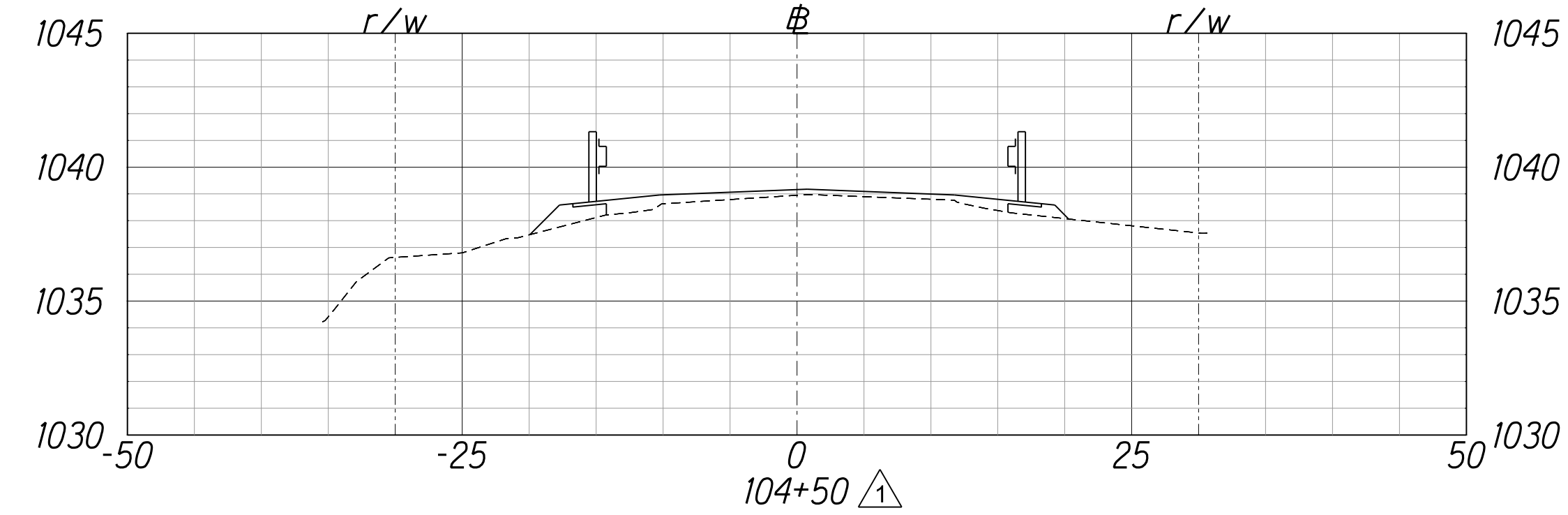
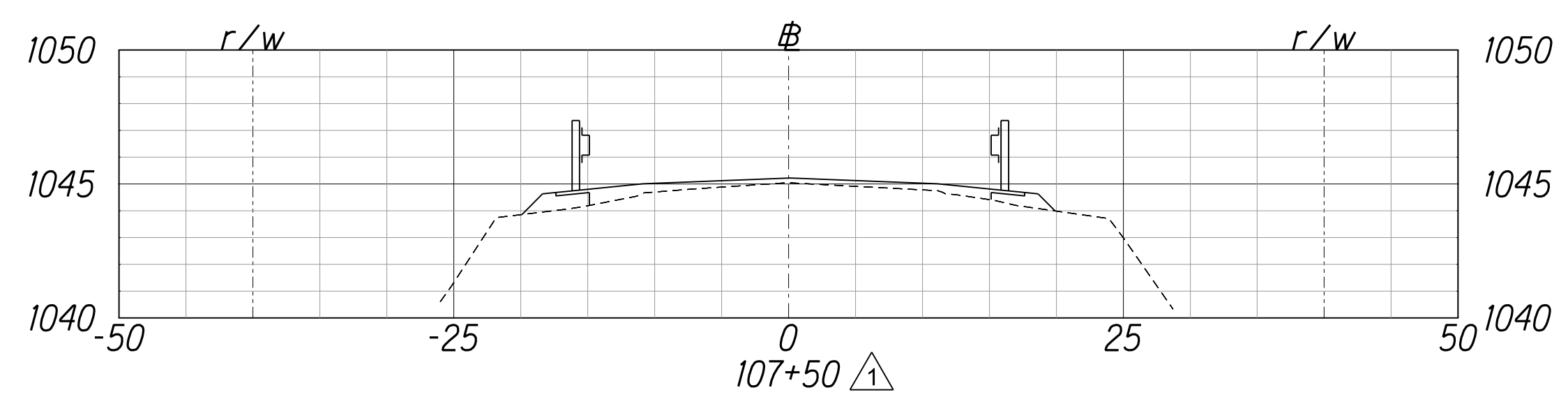
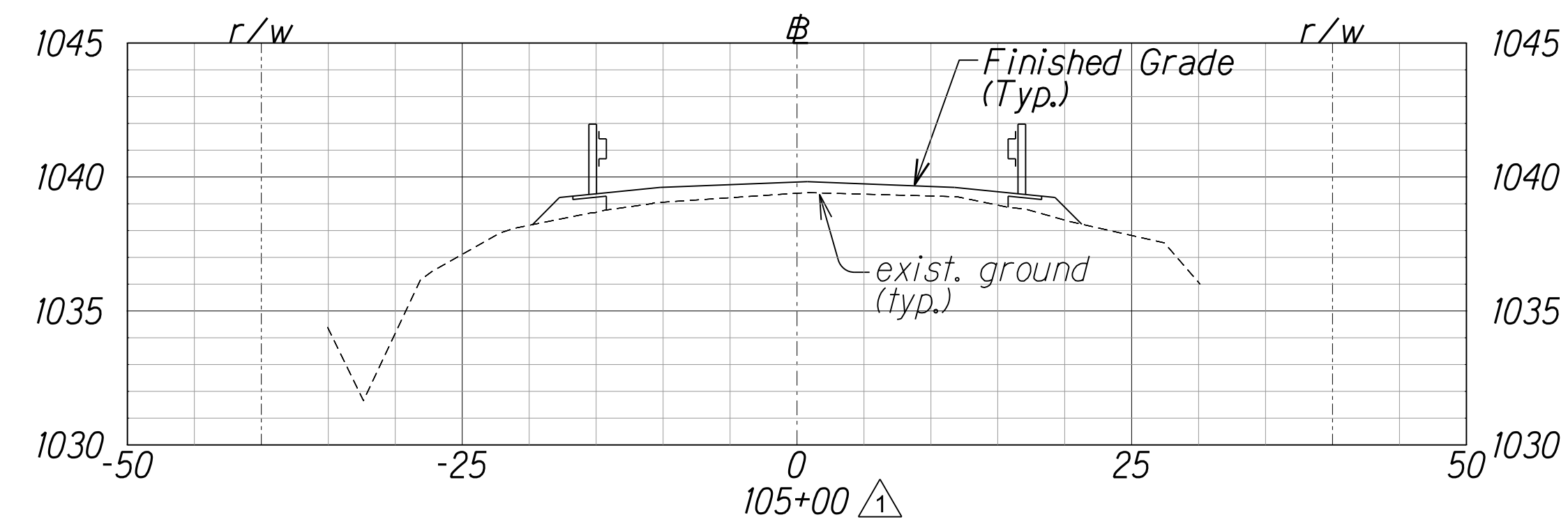


This work was prepared by me or under my supervision.

Expiration Date of License 4/22

10/25/21	△ Addendum No. 1
Date	Description
STATE OF HAWAII DEPARTMENT OF TRANSPORTATION HIGHWAYS DIVISION	
CROSS SECTIONS	
PAHOA-KALAPANA ROAD	
2018 KILAUEA ERUPTION PERMANENT REPAIRS	
Federal Aid Project No. ER-21(005)	
Scale: As Noted	Date: August 2021
SHEET No. 1 OF 3 SHEETS	

FED. ROAD DIST. NO.	STATE	FED. AID PROJ. NO.	FISCAL YEAR	SHEET NO.	TOTAL SHEETS
HAWAII	HAW.	ER-21(005)	2021	ADD.23	24



This work was prepared by me or under my supervision.

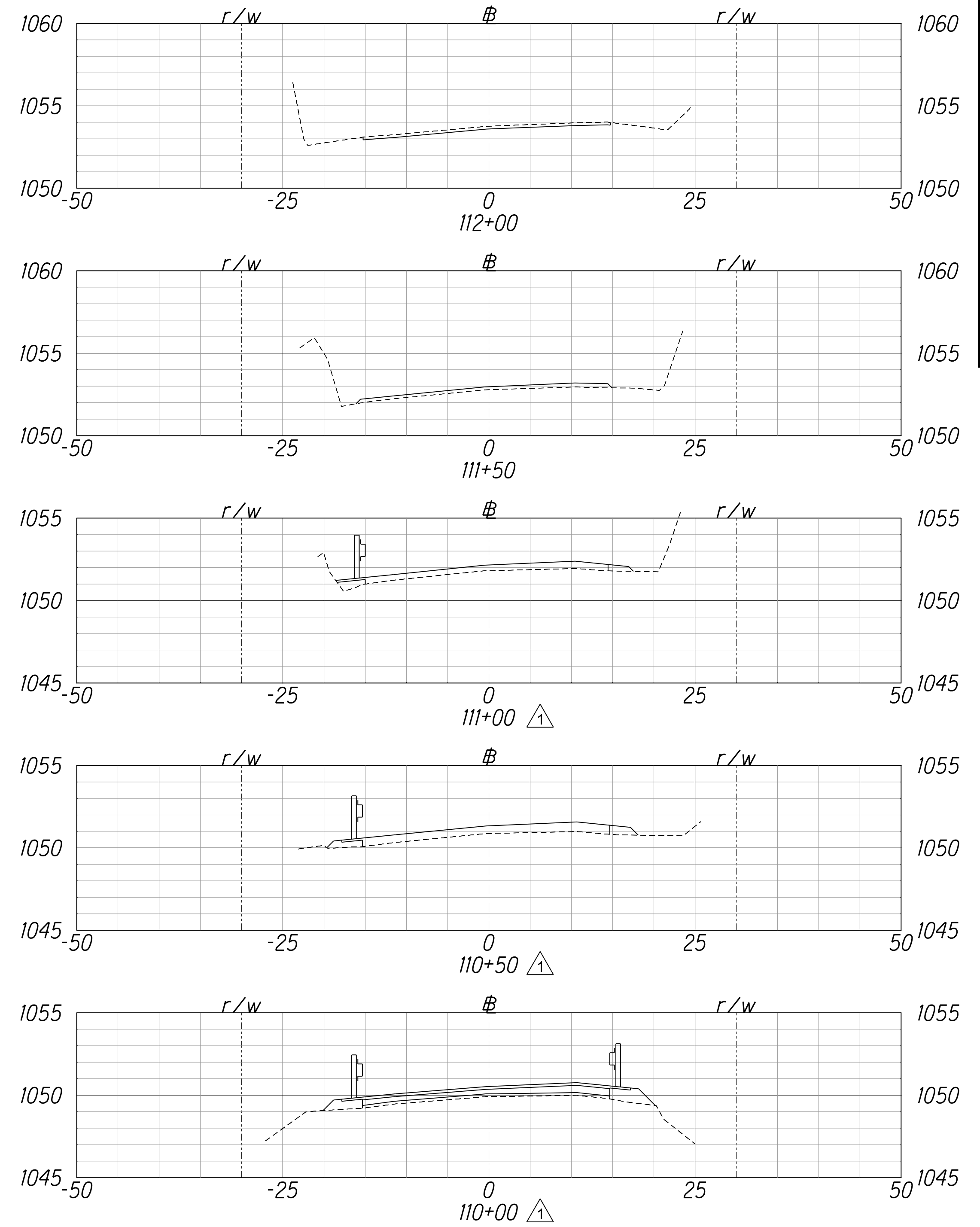
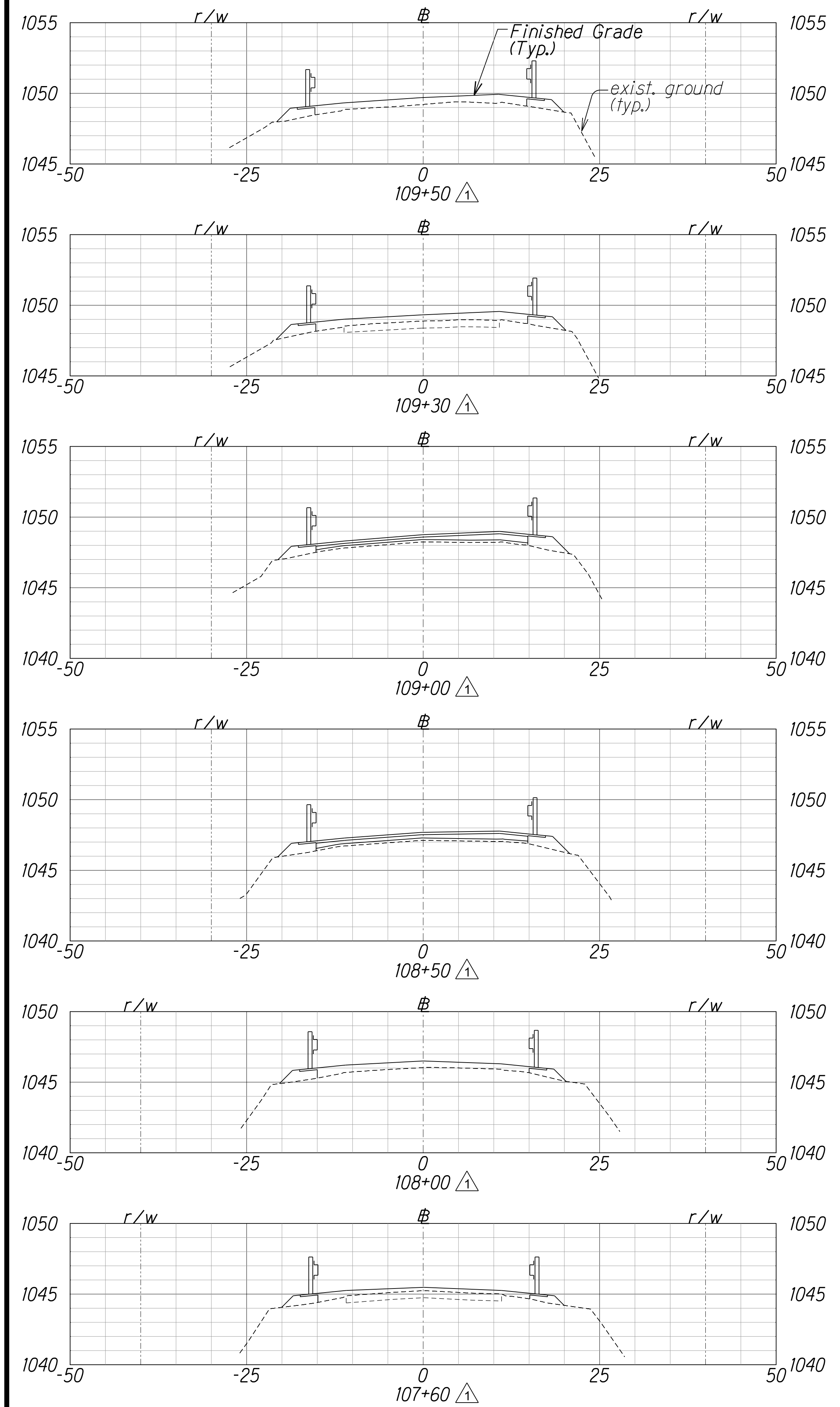
Expiration Date of License 4/22

DATE	_____
SURVEY OBTAINED BY	_____
DESIGNED BY	_____
TRACED BY	_____
QUANTITIES BY	_____
CHECKED BY	_____
NOTE BOOK	_____
No.	_____

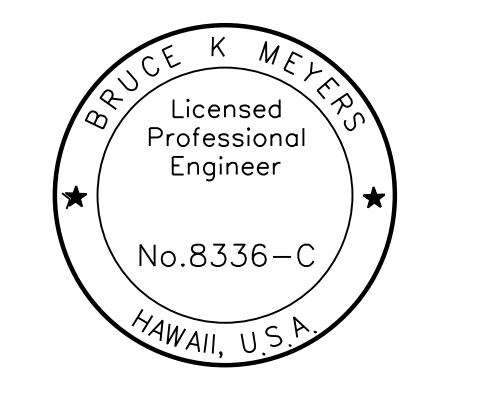
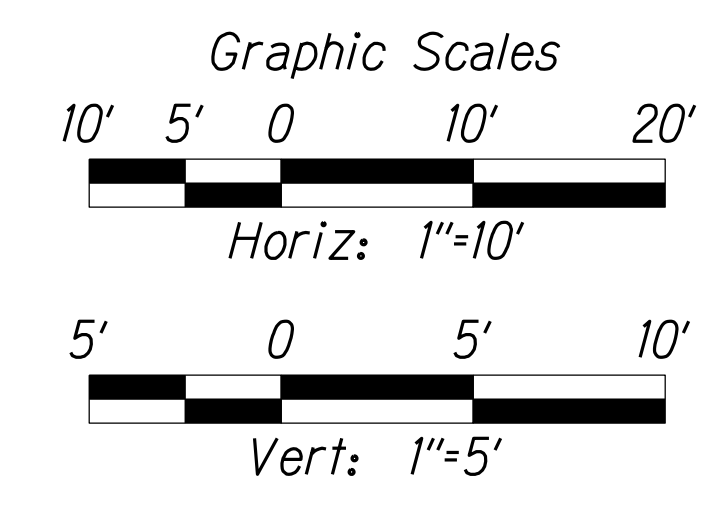
10/25/21	△ Addendum No. 1
Date	Description
STATE OF HAWAII DEPARTMENT OF TRANSPORTATION HIGHWAYS DIVISION	
CROSS SECTIONS	
PAHOA-KALAPANA ROAD	
2018 KILAUEA ERUPTION PERMANENT REPAIRS	
Federal Aid Project No. ER-21(005)	
Scale: As Noted	Date: August 2021
SHEET No. 2 OF 3 SHEETS	

FED. ROAD DIST. NO.	STATE	FED. AID PROJ. NO.	FISCAL YEAR	SHEET NO.	TOTAL SHEETS
HAWAII	HAW.	ER-21(005)	2021	ADD.24	24

Sta.	Cl Eg	Cl Fg	11' Lt. Fg	11' Rt. Fg	11' Lt. Eg	11' Rt. Eg
99+00	1029.61	1029.61	1029.39	1029.39	1029.22	1029.22
99+50	1030.48	1030.62	1030.40	1030.40	1030.22	1030.29
100+00	1031.33	1031.63	1031.41	1031.41	1030.99	1031.02
100+50	1032.01	1032.65	1032.43	1032.43	1031.82	1031.78
101+00	1032.95	1033.63	1033.41	1033.41	1032.67	1032.70
101+50	1033.92	1034.56	1034.34	1034.34	1033.56	1033.70
102+00	1034.64	1035.45	1035.23	1035.23	1034.36	1034.48
102+50	1035.51	1036.29	1036.07	1036.07	1035.03	1035.21
103+00	1036.49	1037.08	1036.86	1036.86	1036.13	1036.21
103+36	1037.34	1037.62	1037.40	1037.40	1036.97	1037.13
103+50	1037.53	1037.83	1037.61	1037.61	1037.19	1037.40
104+00	1038.20	1038.53	1038.31	1038.31	1037.86	1038.08
104+40	1038.84	1039.05	1038.83	1038.83	1038.46	1038.62
104+50	1038.97	1039.18	1038.96	1038.96	1038.63	1038.77
105+00	1039.42	1039.83	1039.61	1039.61	1039.05	1039.26
105+50	1040.03	1040.61	1040.39	1040.39	1039.72	1039.85
106+00	1041.04	1041.56	1041.34	1041.34	1040.78	1040.84
106+50	1042.37	1042.67	1042.45	1042.45	1042.12	1042.16
107+00	1043.74	1043.93	1043.71	1043.71	1043.50	1043.56
107+50	1045.04	1045.22	1045.00	1045.00	1044.66	1044.75
107+60	1045.24	1045.48	1045.26	1045.26	1044.88	1045.01
108+00	1046.03	1046.5	1046.28	1046.30	1045.76	1045.92
108+50	1047.12	1048.58	1048.36	1048.67	1047.80	1047.94
109+00	1048.25	1048.75	1048.53	1048.99	1048.04	1048.23
109+30	1048.88	1049.33	1049.11	1049.57	1048.62	1048.96
109+50	1049.20	1049.69	1049.47	1049.93	1049.01	1049.32
110+00	1049.91	1050.52	1050.30	1050.76	1049.69	1049.99
110+50	1050.87	1051.34	1051.12	1051.58	1050.66	1051.00
111+00	1051.82	1052.14	1051.92	1052.38	1051.58	1051.95
111+50	1052.78	1052.95	1052.73	1053.19	1052.56	1052.94
112+00	1053.76	1053.76	1053.54	1054.00	1053.37	1053.83



SURVEY PROVIDED BY _____ DATE _____
 DRAWN BY _____
 TRACED BY _____
 DESIGNED BY _____
 CHECKED BY _____
 NOTE BOOK _____
 No. _____



This work was prepared by me or under my supervision.

Expiration Date of License 4/22

10/25/21	△ Addendum No. 1
Date	Description

STATE OF HAWAII
 DEPARTMENT OF TRANSPORTATION
 HIGHWAYS DIVISION
CROSS SECTIONS
PAHOA-KALAPANA ROAD
2018 KILAUEA ERUPTION PERMANENT REPAIRS
 Federal Aid Project No. ER-21(005)
 Scale: As Noted Date: August 2021
 SHEET No. 3 OF 3 SHEETS

**Questions for solicitation: B22000528 Pahoehoe-Kalapana Road 2018 Eruption
Permanent Repairs
10/25/2021**

1. There are two typical section details shown on Plan Sheet 7, please clarify at which station(s) each detail begins and ends.

Limits of the full depth pavement repair typical section have been added to Plan Sheet ADD. 7. Stations are approximate based on available existing elevation data and should be used for estimating purposes. Contractor shall verify elevations in the field for exact locations.

2. The a.c. pavement under the guardrails seem to be drawn as 2" thick on the cross sections on Plan Sheets 22 to 24. Please clarify if the a.c. pavement under the guardrails will be 1.5" or 2" thick.

A.C. Pavement under the guardrails shall be 1.5" thick as shown in sheet 8 of the plans. Cross sections revised as shown on Plan Sheets ADD. 22 to ADD. 24.

3. Please clarify if the existing concrete thermal panels can be removed or if they must remain.

The concrete thermal panels were installed as part of the temporary repairs performed as discussed below. The existing concrete thermal panels have cracks and shall be left in place.

4. This project is titled as "permanent repairs" for the Kilauea Eruption. Please clarify if there were temporary repairs previously performed in this project area.

Response will be provided in Addendum.

The temporary repairs involved installing (5) concrete thermal panels over the cracks in the roadway. Asphalt Concrete Base and HMA Mix IV were used to transition to and from two sets of panels. Over time, some potholes have developed and were temporarily patched with cold mix. Removal of cold mix and concrete patching will be paid for on a Force Account Basis, under the Item No. 503.1000 – Preparation of Concrete Thermal Panels.

PAHOA-KALAPANA ROAD
2018 KILAUEA ERUPTION
PERMANENT REPAIRS
PROJECT NO. ER-21(005)

PRE-BID MEETING NOTES
OCTOBER 20, 2021

The following notes are from the Hawaii Department of Transportation (HDOT) Pre-Bid Meeting with prospective bidders for the Pahoa-Kalapana Road 2018 Kilauea Eruption Permanent Repairs project.

The meeting was conducted virtually via Microsoft TEAMS at 9:59 a.m.

A. Attendance List

1. HDOT Highways – Julann Sonomura, Cliff Corpuz
2. HDOT Office of Civil Rights - Dan Williams, Karen Awana
3. Okahara and Associates, Inc. – Bruce Meyers, Norman Leong
4. Jas. W. Glover – Lizi Olson, Sam Peng Ho
5. Burke Services – Shannon Burke

B. General

1. DBE Goal and Requirements – DBE Goal for this project is 4.7%

Daniel Williams from the Office of Civil Rights reviewed the DBE Goal and requirements as follows:

Policy of the State of Hawaii, Department of Transportation's (HDOT) DBE Program:

To ensure equal opportunity and non-discrimination in the award and administration of United States DOT-assisted contracts. Contractors shall take all necessary and reasonable steps in accordance with the regulations (49 CFR, Part 26) to ensure that DBE's have an equal opportunity to compete for and perform on contracts.

DBE Goal for this project: **4.7%**

Be sure to document discussions, phone calls, faxes or memos relating to your efforts in meeting the DBE goal.

DBEs must be certified by the bid opening date.

DBE subcontractors, manufacturers, suppliers, trucking companies and any second tier subcontractors shall be listed on the respective DBE forms in order to receive credit.

The following forms are due by the close of business (i.e. 4:30 pm HST) five (5) days after bid opening:

1. **DBE Confirmation and Commitment Agreement.** This form must be **signed by the bidder/offeror and each DBE** subcontractor, manufacturer, supplier, or trucking company and submitted to the Project Manager. Information to be provided on the form shall include, among other things, the project number, the DBE's NAICS codes, description of work, bid items with corresponding price information, prime contractor name and contact information DBE name and contact information and subcontractor name and contact information if the DBE is a second tier subcontractor.

To count toward meeting a goal, each DBE firm must be certified in a NAICS code applicable to the kind of work the firm would perform on the contract.

2. **DBE Contract Goal Verification and Good Faith Efforts (GFE) Documentation for Construction.** List the dollar amount of all subcontractors, manufacturers, suppliers, and trucking companies (both DBE and non-DBE firms). Bidder/offeror must also list the DBE project goal on this form (See paragraph D below regarding goal calculation). If the project goal is not met, the bidder/offeror shall submit documentation of good faith efforts including quotations for both DBE and non-DBE subcontractors when a non-DBE is selected over a DBE for the project.

Failure to provide either of the two shall be cause for bid/proposal rejection.

In determining calendar days, the day from which the period begins to run is not counted, and when the last day of the period is a Saturday, Sunday, or Federal or State holiday, the period extends to the next day that is not a Saturday, Sunday, or holiday.

- Calculation of the DBE contract goal for this project is the proportionate contract dollar value of work performed, materials, and goods to be supplied by DBEs. DBE credit shall not be given for mobilization, force account items and allowance items. This DBE contract goal is applicable to all the contract work performed for this project.

DBE contract goal percentage = Contract Dollar Value of the work to be performed by DBE subcontractors and manufacturers, plus 60% of the contract dollar value of DBE suppliers, divided by the sum of all contract items (sum of all contract items is the total amount for comparison of bids less mobilization, force account items, and allowance items).

The Department shall adjust the bidder's/offeror's DBE contract goal to the amount of the project goal if it finds that the bidder/offeror met the goal but erroneously calculated a lower percentage. If the amount the bidder/offeror submits as its contract goal exceeds the project goal, the bidder/offeror shall be held to the higher goal.

- Refer to DBE Requirements section in the bid documents and pay special attention to Section VIII. Demonstration of Good Faith Efforts for Contract Award, which

summarizes the kinds of efforts that will be considered demonstrative of good faith efforts.

- All federally funded projects awarded after October 1, 2017 are required to use the Certification and Contract Compliance Management System program, an online payment tracking system. This project will be required to use the Certification and Contract Compliance Management System program. HDOT OCR will work with the Project Engineer and selected bidder to get the contract information to create a contract record for the project.
- BIDDER REGISTRATION FORM. All firms bidding or quoting on DOT projects, including vendors, subcontractors, manufacturers, truckers, etc., must register as a bidder. Certified DBEs are automatically registered as a bidder with the HDOT. Bidder Registration Form can be found at: <https://hidot.hawaii.gov/administration/files/2019/03/Bidder-Registration-Fillable-Form.pdf>
- Be sure to check the DBE Directory online at: <https://hdot.dbesystem.com/> to ensure the DBEs listed are certified.

Daniel asked if there were any questions. No questions were stated regarding DBE by the attendees. Daniel then excused himself from the meeting.

2. The Pre-Bid Meeting is non-mandatory and is intended for clarification prior to bidding.
 3. Anything said at this meeting is for clarification only. The bid documents shall govern over anything said today and discrepancies shall be clarified by addendum.
 4. All requests for information (RFI), including any discussed at today's meeting, shall be received in writing via HiePRO no less than 14 calendar days before bid opening, which is on October 21, 2021 at 2:00 p.m. Questions received after the deadline will not be addressed. Verbal requests for information will not receive a response.
 5. The minutes to this meeting including the list of attendees will be distributed by addendum prior to bid opening.
 6. Deadline to submit bids is until 2:00 p.m. Hawaii Standard Time (HST), November 4, 2021. Bids received after said due date and time shall not be considered.
- C. Open discussion with prospective bidders
1. Sam Peng Ho asked to clarify stations where the paving begins and ends. Bruce Meyers confirms that could be done and Julann Sonomura stated that a response would be provided by addendum.
 2. Julann Sonomura reminded Sam to submit her question formally to HiePRO and to ensure that she maintains documentation that her question was received.

3. Sam Peng Ho asked if the existing concrete thermal panels were to remain? Julann Sonomura responded that panels were as shown in the drawings. Formal response will be made by addendum.

D. The meeting was adjourned at 10:15 a.m.